

# DALI MCU digital rotary CCT Controller

09.2400RBC.04759



**Important:** Read All Instructions Prior to Installation

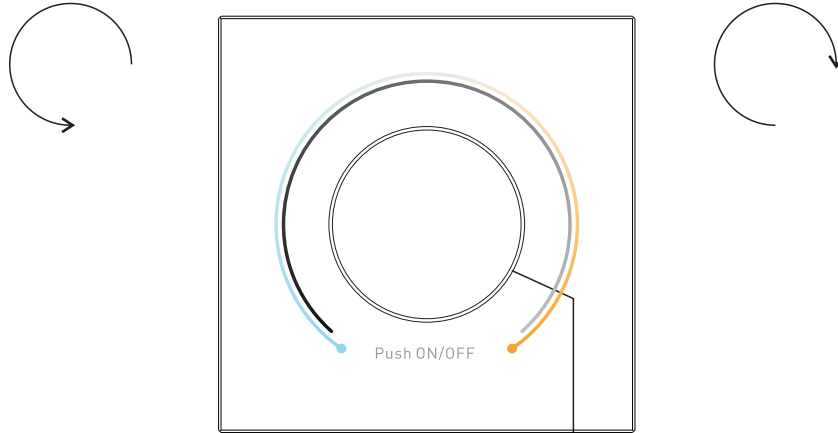
## Function introduction

Rotate the knob counterclockwise:

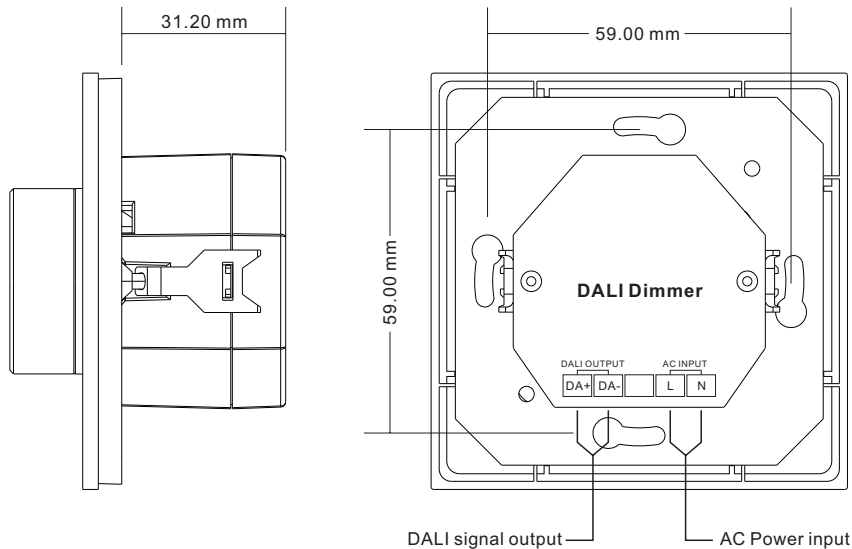
1. Decrease light intensity from 100% to 1% (brightness mode).
2. Change color temperature from warm white to cold white (dual color mode)

Rotate the knob clockwise:

1. Increase light intensity from 1% to 100% (brightness mode).
2. Change color temperature from cold white to warm white (dual color mode)



Click the knob to switch ON/OFF. Double click the knob to switch between dual color mode and brightness mode.



Back side

## Product Data

Designation	DALI MCU
Power connection	L, N AC mains
Operating voaltage	100-240V AC
Power consumption	2.3W max.
DALI connection	DA+/DA-, max. 300m cable length, DALI power supply output current max 100mA.
Perm. Cable cross-section	0.5...1.5 mm <sup>2</sup>
Ambient temperature	0...+50 °C
Type of protection	IP 20
Protection class	II
Dimensions	80x80x53mm

- DALI DT8 CCT color controller, compatible with DT8 DALI system
- Each control circuit can supply DALI power for as many as 50 DALI devices
- The lighting system responds immediately and harmoniously when the brightness level is changed at either of the control devices.
- All that while allowing for the required comfortable, easy and complete control over the lighting levels at any time.
- Innovative Function to Power DALI Bus While Connected to AC Mains
- Powered by DALI Bus while not Connected to AC Mains

## Safety & Warnings

- DO NOT install with power applied to device.
- DO NOT expose the device to moisture.

## Operation

This device is a DALI MCU with built-in DALI bus power supply which can power DALI bus while connected with 100-240VAC mains. It also can be powered by DALI bus while not connected with AC mains.

**There can be up to only 2 MCUs connect to AC 220V mains, the other MCUs powered by DALI bus.**

Each control circuit simultaneously affords the integration of as many as 100 DALI ECG and of up to 4 DALI MCU control devices (control points).

### Switch ON/OFF

Click the rotary knob to switch ON/OFF light.

### Switch dual color mode and brightness mode

Double click the knob to switch between dual color mode and brightness mode.

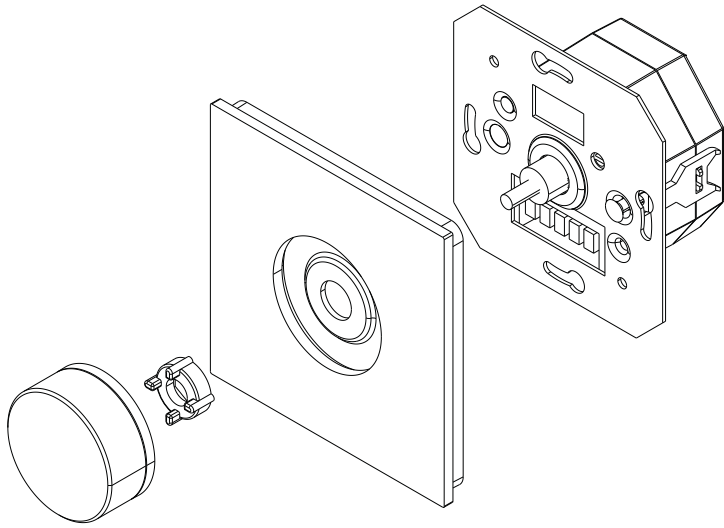
### Set the minimum brightness value

Press and hold down the knob over 5 seconds until the light flashes, to set the current brightness value as the minimum brightness value for dimming, it is dimmable from this minimum brightness value to 100%.

### Delete the minimum brightness value setting

Click the knob to switch off the light first, then press and hold down the knob over 5 seconds until the light flashes, the minimum brightness value will be deleted. It is dimmable from 1% to 100% then.

## Installation



## Wiring diagram

Figure 1: Wiring scheme to control up to 50 DALI ECG

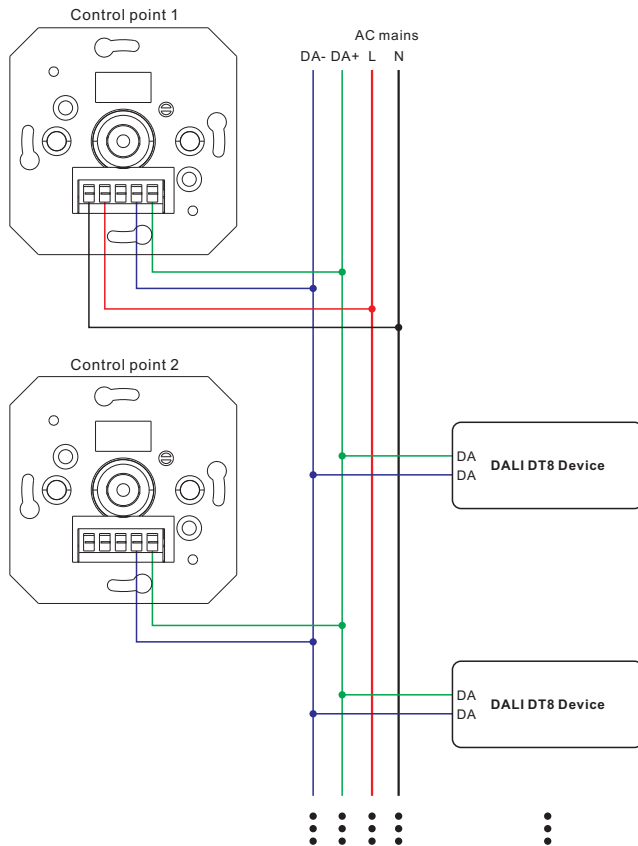
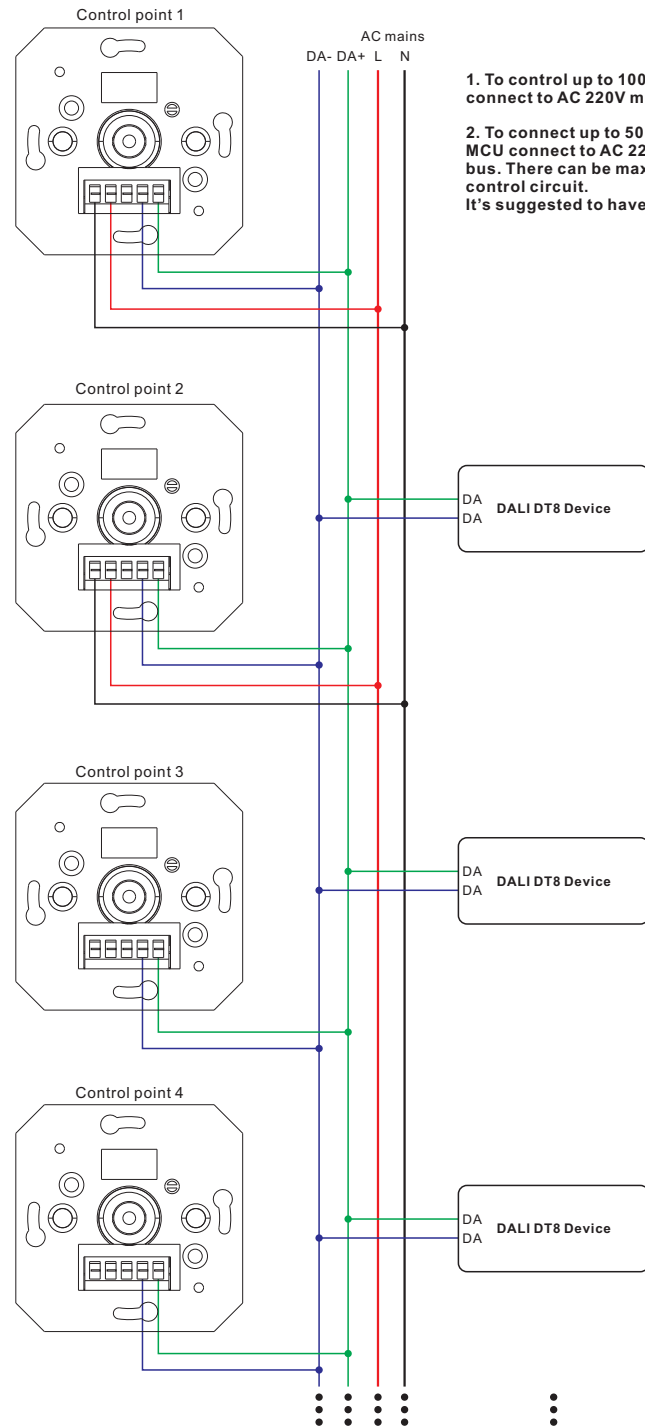


Figure 1: Wiring scheme with 2 MCUs powered by AC mains to control up to 100 DALI ECG



1. To control up to 100 ECG with the setup(Figure 2), there is 2 MCUs connect to AC 220V mains.

2. To connect up to 50 ECG with the setup(Figure 1), there is only 1 MCU connect to AC 220V mains, the other MCUs powered by DALI bus. There can be max 2 MCUs connected to the AC mains in the same control circuit. It's suggested to have max 4 MCUs totally in the same control circuit.