

# CBU-ASR

Bluetooth controllable 2ch 0-10V controller

# CASAMBI

www.casambi.com



## Description

CBU-ASR is a Bluetooth controllable, Casambi enabled two channel 0-10V controller for dimmable LED loads and luminaires. It is powered by an external 12-24 VDC Class 2 power supply.

CBU-ASR can control two channels making it an ideal partner for tunable white (TW) applications. The two channels can be configured also to operate individually. The device also has a control port for an external relay and a sensor input.

CBU-ASR is an ideal partner for power packs with line voltage relays. It is protected against overvoltage, overcurrent and short circuit situations.

CBU-ASR together with other Casambi enabled products can be used from a simple one luminaire direct control to a complete and full featured light control system where up to 127 units form automatically an intelligent mesh network. Casambi supports nearly unlimited number of mesh networks in an installation site.

Casambi system can be controlled with Casambi app which can be downloaded free of charge from Apple App Store and Google Play Store. Other controlling methods are, for example, timers, Casambi enable sensors, such as PIR/occupancy and lux sensors, as well as Casambi Xpress and EnOcean switches.

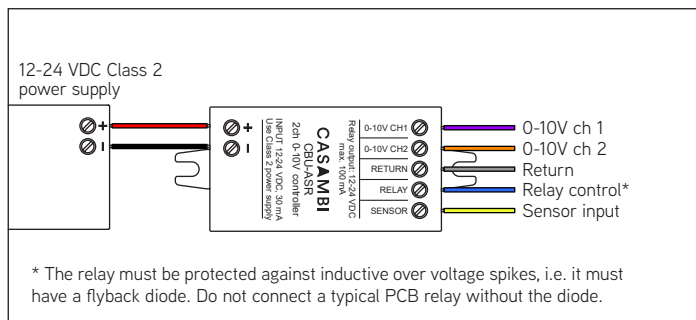


Compatible devices:

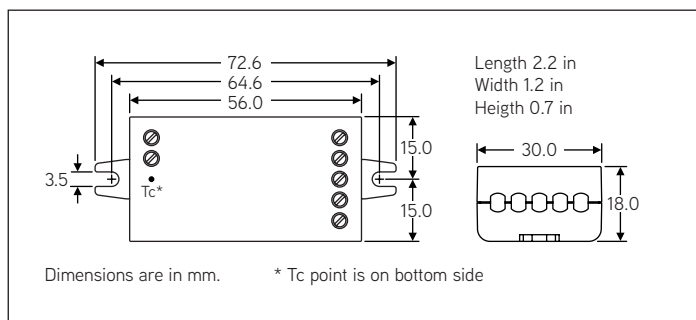
iPhone 4S or later  
iPad 3 or later  
iPod Touch 5th gen or later

Android 4.4 or later devices produced after 2013 with full BT 4.0 support

## Wiring diagram



## Dimensions



**WARNING:**  
Cancer and Reproductive Harm  
[www.P65Warnings.ca.gov](http://www.P65Warnings.ca.gov)

## Technical data

<b>Input</b>	
Voltage range:	12-24 VDC, Class 2
No-load input current:	30 mA
<b>0-10V output (both channels)</b>	
Output voltage:	0-10 VDC, adjustable
Max. output current per channel:	5 mA, sinking and sourcing
<b>Relay control output</b>	
Output voltage:	12-24 VDC, same as input
Max. output current:	100 mA
<b>Sensor input</b>	
Input voltage:	Max. 24 VDC
Input resistance:	81.5 kΩ
<b>Radio transceiver</b>	
Operating frequencies:	2.401-2.483 Ghz
Maximum output power:	typ. +0 dBm, +/-3dBm
<b>Operating conditions</b>	
Ambient temperature, ta:	-13...+113°F (-25...+45°C)
Max. case temperature, tc:	+167°F (+75°C)
Storage temperature:	-13...+167°F (-25...+75°C)
Max. relative humidity:	0...80%, non-cond.
<b>Connectors</b>	
Wire range, solid & stranded:	0.5 - 1.5 mm <sup>2</sup> 14 - 22 AWG
Wire strip length:	.25" (6 - 7 mm)
Tightening force:	0.4 Nm / 2.6 Lb-in
<b>Mechanical data</b>	
Dimensions:	2.2 x 1.2 x 0.7 inch 72.6 x 30.0 x 18.0 mm
Weight:	0.8 oz (23 g)
FCC ID:	2ALA3-CBUASR
IC:	22496-CBUASR
UL:	UL Listed UL Plenum Rated (UL 2043)

# CASAMBI

Lighting control for the Modern World

## Installation

CBU-ASR is a UL Listed Open-Type device which means that it will have to be used together with a Class 2 power supply with maximum output power of 100 VA. The product can be installed outside of a junction box. Make sure to comply with National Electric Code in installation and when selecting installation wires.

The products has one return line which is shared between the two 0-10V outputs, relay control output and sensor input.

The two 0-10V outputs can be configured for different functions, such as 2 channel tunable white, or 1-2 jointly and individually dimmable channels. The standard configuration when delivered is 2 channel dimming, but the configuration can be changed by the end user from Casambi App.

Do not connect a typical PCB relay to the Relay output. The connected relay must have a flyback diode in place to protect the CBU-ASR against over-voltage spikes.

CBU-ASR, as any other Casambi product, should not be placed in a metal enclosure, such as metal junction boxes. Metal will attenuate radio signals which are crucial to the operation of the product. If the product will have to be installed into a junction box, make sure to use a plastic junction box.

## Range

The range between two CBU-ASR units or between a CBU-ASR and a smart phone can vary a lot depending on obstacles and surrounding material. In open air the range between two CBU-ASRs can be in excess of 200 ft, but if the unit is encapsulated into a metal structure, the range can be only few feet. Therefore, thorough testing is highly suggested.

Casambi uses mesh network technology so each CBU-ASR acts also as a repeater. When testing the network, it is important to test that each unit can be controlled from any point of the network covered area.

## Compliance Statement

This device complies with part 15 of the FCC Rules. Operation is subject to the following two conditions:

- (1) This device may not cause harmful interference, and
- (2) this device must accept any interference received, including interference that may cause undesired operation.

## Radiation Exposure Statement for FCC

This device complies with FCC radiation exposure limits for an uncontrolled environment. This device shall be installed and operated with a minimum distance of 0.8" (2cm) between users or bystanders and the device.

## Warning

Changes or modifications not expressly approved by Casambi Technologies Oy could void the user's authority to operate the equipment.

## FCC Interference Statement

This equipment has been tested and found to comply with the limits for a Class B digital device, pursuant to Part 15 of the FCC Rules. These limits are designed to provide reasonable protection against harmful interference in a residential installation.

This equipment generates, uses and can radiate radio frequency energy and, if not installed and used in accordance with the instructions, may cause harmful interference to radio communications.

However, there is no guarantee that interference will not occur in a particular installation. If this equipment does cause harmful interference to radio or television reception, which can be determined by turning the equipment off and on, the user is encouraged to try to correct the interference by one of the following measures:

- Reorient or relocate the receiving antenna.
- Increase the separation between the equipment and receiver.
- Connect the equipment into an outlet on a circuit different from that to which the receiver is connected.
- Consult the dealer or an experienced radio/TV technician for help.

## Radiation Exposure Statement for Canada

This device complies with Industry Canada's licence-exempt RSSs. Operation is subject to the following two conditions:

- (1) This device may not cause interference
- (2) This device must accept any interference, including interference that may cause undesired operation of the device.

This equipment is exempt from the routine RF exposure evaluation requirements of RSS-102. This equipment should be installed and operated with a minimum distance of 20 cm between the antenna and the user or bystanders.

Le présent appareil est conforme aux CNR d'Industrie Canada applicables aux appareils radio exempts de licence. L'exploitation est autorisée aux deux conditions suivantes:

- (1) l'appareil ne doit pas produire de brouillage;
- (2) l'utilisateur de l'appareil doit accepter tout brouillage radioélectrique subi, même si le brouillage est susceptible d'en compromettre le fonctionnement.

Ce matériel n'est pas sujet à l'évaluation habituelle d'exposition RF selon RSS102. Ce matériel devrait être installé et exploité en gardant une distance minimale de 20 cm entre l'antenne et l'utilisateur ou les spectateurs.