

**Direct current electronic drivers**  
**Alimentatori elettronici in corrente continua**

Made in Italy 

**1.1**

Single current drivers - Without PFC  
Alimentatori corrente singola - Senza PFC

constant CURRENT constant VOLTAGE

    EL SELV 60V

**RIPPLE FREE**



1-2kV DIFF. 2kV COMM.  ACTIVE PFC  SAFETY PROTECTIONS

**Rated Voltage**  
**Tensione Nominale**

AC 100 ÷ 127 V <sup>(2)</sup>  
AC 220 ÷ 240 V

**Frequency - Frequenza**  
50-60 Hz

**AC Operation range**  
**Tensione di utilizzo AC**  
90 ÷ 264 V

**DC Voltage**  
**Tensione DC**  
(see page info15)  
176 ÷ 280 V

**Power - Potenza**  
0 ÷ 12 W

**iTHD**  
≤ 40% <sup>(1)</sup>

**Output current ripple**  
≤ 3% <sup>(1)</sup>

**Standards compliance**

CSA C22.2 no. 223 <sup>(3)</sup>  
EN 50172  
EN 55015  
EN 61000-3-2  
EN 61000-3-3  
EN 61347-1  
EN 61347-2-13  
EN 61547  
EN 62384  
UL 1310 <sup>(3)</sup>  
UL 8750 <sup>(3)</sup>  
VDE 0710-T14

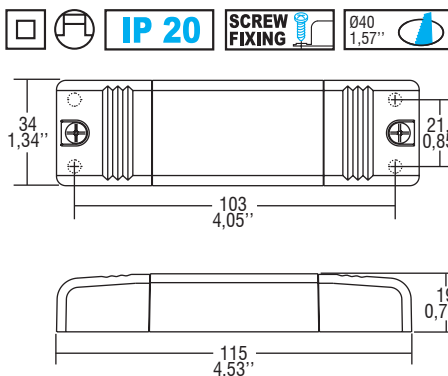
**Max. pcs for CB B16A**  
(see page info17)  
27 pcs

**In rush current**  
27A 250µsec

Article Articolo	Code Codice	P out W	V out DC <sup>(1)</sup>	I out DC	U out V	ta °C	tc °C	λ max. Power Factor	η max. Efficiency <sup>(1)</sup>
<b>DCC 12W 500mA HPFU</b>	127711	12 (10 <sup>(2)</sup> )	2...24	500 mA cost.	26	-25...+50	75	0,88 C <sup>(3)</sup>	> 83
<b>DCC 12W 700mA HPFU</b>	127712	12 (10 <sup>(2)</sup> )	2...16	700 mA cost.	18	-25...+50	75	0,85 C <sup>(4)</sup>	> 80

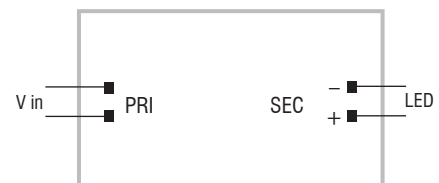
<sup>(1)</sup> Referred to V<sub>in</sub> = 230 V, 100% load - Riferito a V<sub>in</sub> = 230 V, carico 100%

<sup>(3)</sup> λ: 0,88 C @220...240 Vac @Pmax  
λ > 0,80 C @220...240 Vac @P > 4W  
λ: 0,83 C @100...127 Vac @Pmax  
λ > 0,80 C @100...127 Vac @P > 2,5W  
<sup>(4)</sup> λ: 0,85 C @220...240 Vac @Pmax  
λ > 0,83 C @220...240 Vac @P > 5W  
λ: 0,84 C @100...127 Vac @Pmax  
λ > 0,84 C @100...127 Vac @P > 2W



Weight - Peso:  
gr. 60 / 2,07 oz.  
Pcs - Pezzi 50

**Wiring diagram - Schema di collegamento**  
(Max. LED distance on page info8 - Massima distanza LED a pagina info8)



**Features**

- **Active Power Factor Corrector.**
- IP20 independent driver, for indoor use.
- Class II protection against electric shock for direct or indirect contact.
- Supplied with terminal cover and cable retainer.
- Input and output terminal blocks on opposite sides (wire cross-section up to 2,5 mm<sup>2</sup> / AWG13).
- Single terminal block on primary and secondary circuit.
- Clamping screws on primary and secondary circuits for cables with diameter: min. 3 mm - max. 8 mm.
- Driver can be secured with slot for screws.
- Protections:
  - against overheating and short circuits;
  - against mains voltage spikes;
  - against overloads.

**Caratteristiche**

- **PFC attivo.**
- Alimentatore indipendente IP20, per uso interno.
- Protetto in classe II contro le scosse elettriche per contatti diretti e indiretti.
- Fornito di coprimorsetto e serracavo.
- Morsetti di entrata e uscita contrapposti (sezione cavo fino a 2,5 mm<sup>2</sup> / AWG13).
- Singola morsettiera su primario e secondario.
- Serracavo su primario e secondario per cavi di diametro: min. 3 mm - max. 8 mm.
- Fissaggio dell'alimentatore tramite asole per viti.
- Protezioni:
  - termica e cortocircuito;
  - contro le extra-tensioni di rete;
  - contro i sovraccarichi.

**7 YEARS WARRANTY**  
3% FAILURE RATE

**10 YEARS WARRANTY**  
5% FAILURE RATE

**PRODUCER'S LIABILITY**  
**TCI**

**10 YEARS WARRANTY**  
ACCORDING TO THE EUROPEAN CONDITIONS