

## Emergency light KIT for power LED and LED modules KIT per luce d'emergenza per power LED e moduli LED

Made in Italy

constant CURRENT constant VOLTAGE

EN 05 KEMA EUR M M 100 EL SELV 120V  
ONLY WITH INCLUDED "ARTS ENERGY" BATTERY



ELED HP



ELED HP BI

DIP-SWITCH SAFETY PROTECTIONS

**Voltage**  
Tensione  
220 - 240 V

**Frequency**  
Frequenza  
50/60 Hz

**Potenza**  
Power  
2 - 4,5 W

**Supply current**  
Corrente di alimentazione  
35 mA

**Operating time**  
Autonomia  
1-3 h  
With TCI battery  
Con batteria TCI

**Charge time**  
Tempo di ricarica  
12/24 h

ta °C: 0...+55

tc °C: 75

**Standards compliance**  
EN 55015  
EN 61000-3-2  
EN 61347-2-13  
EN 61347-2-7  
EN 61547

**Max. pcs for CB B16A**  
(see page info17)  
27 pcs

**In rush current**  
27A 250µsec

**7 YEARS WARRANTY**  
3% FAILURE RATE

**10 YEARS WARRANTY**  
5% FAILURE RATE

PRODUCER'S LIABILITY  
TCI

WARRANTY TO YEARS  
10  
ACCORDING TO THE CE DIRECTIVE  
2014

Only for emergency kit  
Solo per kit emergenza

| Article<br>Articolo | Code<br>Codice | ex ELDN T<br>code | EMERGENCY DURATION |               | GREEN SIGNAL<br>LED INCLUDED | Ni-Cd BATTERY                      |                                  |                                   | Battery case |           |
|---------------------|----------------|-------------------|--------------------|---------------|------------------------------|------------------------------------|----------------------------------|-----------------------------------|--------------|-----------|
|                     |                |                   | 24h<br>CHARGE      | 12h<br>CHARGE |                              | 7,2 V - 1,6 Ah<br>COMPACT-COMPATTI | 7,2 V - 4 Ah<br>COMPACT-COMPATTI | 2x 3,6 V - 4 Ah<br>LINEAR-LINEARE | BOX<br>1h    | BOX<br>3h |
| ELED HP             | 123023         | 123010            | 1h                 | -             | ✓                            | ✓                                  |                                  |                                   |              |           |
| ELED HP KIT         | 123023K        | 123010K           | 1h                 | -             | ✓                            | ✓                                  |                                  |                                   | ✓            |           |
| ELED HP BI          | 123024         | -                 | 1h                 | -             | ✓                            | ✓                                  |                                  |                                   |              |           |
| ELED HP/3           | 123023/3       | 123010/3          | 3h                 | 1,5h          | ✓                            |                                    |                                  | ✓                                 |              |           |
| ELED HP/3 KIT       | 123023/3K      | 123010/3K         | 3h                 | 1,5h          | ✓                            |                                    | ✓                                |                                   |              | ✓         |
| ELED HP/3 BI        | 123024/3       | -                 | 3h                 | 1,5h          | ✓                            |                                    |                                  | ✓                                 |              |           |

| Article<br>Articolo | Code<br>Codice | EMERGENCY DURATION |               | GREEN SIGNAL<br>LED INCLUDED | Ni-MH BATTERY                    |                                  |                                   | Battery case |           |
|---------------------|----------------|--------------------|---------------|------------------------------|----------------------------------|----------------------------------|-----------------------------------|--------------|-----------|
|                     |                | 24h<br>CHARGE      | 12h<br>CHARGE |                              | 7,2 V - 2 Ah<br>COMPACT-COMPATTI | 7,2 V - 4 Ah<br>COMPACT-COMPATTI | 2x 3,6 V - 4 Ah<br>LINEAR-LINEARE | BOX<br>1h    | BOX<br>3h |
| ELED HP             | 123025         | 1h                 | 1h            | ✓                            | ✓                                |                                  |                                   |              |           |
| ELED HP KIT         | 123025K        | 1h                 | 1h            | ✓                            | ✓                                |                                  |                                   |              | ✓         |
| ELED HP BI          | 123026         | 1h                 | 1h            | ✓                            | ✓                                |                                  |                                   |              |           |
| ELED HP/3           | 123025/3       | 3h                 | 1,5h          | ✓                            |                                  |                                  | ✓                                 |              |           |
| ELED HP/3 KIT       | 123025/3K      | 3h                 | 1,5h          | ✓                            |                                  | ✓                                |                                   |              | ✓         |
| ELED HP/3 BI        | 123026/3       | 3h                 | 1,5h          | ✓                            |                                  |                                  | ✓                                 |              |           |

| Only emergency driver, NO BATTERY - Solo driver emergenza, NO BATTERY |                |                   | EMERGENCY DURATION |               | GREEN SIGNAL<br>LED INCLUDED |
|---|----------------|-------------------|--------------------|---------------|------------------------------|
| Article<br>Articolo   | Code<br>Codice | ex ELDN T<br>code | 24h<br>CHARGE      | 12h<br>CHARGE |                              |
| ELED HP   | 123023NB       | 123010NB          | 1h                 | -             | ✓                            |
| ELED HP BI  | 123024NB       | -                 | 1h                 | -             | ✓                            |
| ELED HP/3   | 123023/3NB     | 123010/3NB        | 3h                 | 1,5h          | ✓                            |
| ELED HP/3 BI  | 123024/3NB     | -                 | 3h                 | 1,5h          | ✓                            |

- Class II protection against electric shock for direct or indirect contact (ELED HP).
- It can be used for lighting equipment in protection class I and II (ELED HP BI).
- Instant emergency operation at mains failure.
- Maintained or not maintained operation (maintained operation suitable with electronic drivers or dimmable electronic drivers).
- Multi-power dimmable version DIP-SWITCH, constant current or constant voltage to power LED to LED modules.
- "High temperature" Ni-Cd / Ni-MH batteries.
- Charge indicator with GREEN LED.
- "Rest mode" facility with remote control device and 9V battery.
- **Keep the battery not connected to the kit until the final installation of the system (luminaire installation).**
- **Do not stock battery and kit connected together.**

### Technical data

- Length battery cable: 280 mm / 11".
- Length LED cable: 350 mm / 13,8".
- LED mounting hole: Ø 9 mm / 0,35".
- Supply current: 20 mA max.
- Terminal blocks max. connection size: 1,5 mm<sup>2</sup> / AWG15.
- Max distance between driver and lamp: 2 mt / 6 ft.

- Protetto in classe II contro le scosse elettriche per contatti diretti e indiretti (ELED HP).
- Utilizzabile per apparecchi di illuminazione in classe di protezione I e II (ELED HP BI).
- Intervento istantaneo ad ogni mancanza di rete.
- Funzionamento in sola emergenza o in luce continua (luce continua in abbinamento con alimentatori elettronici e alimentatori elettronici dimmerabili).
- Regolazione con DIP-SWITCH, per power LED a corrente costante o per moduli LED a tensione costante.
- Batterie tipo Ni-Cd / Ni-MH "alta temperatura".
- Indicatore di ricarica con LED VERDE.
- Possibilità d'inibizione in "modo riposo" con interruttore esterno centralizzato connesso a batteria 9V.
- **Mantenere la batteria non connessa al KIT fino all'installazione finale del sistema (installazione della lampada).**
- **Non immagazzinare collegati tra loro batteria e KIT.**

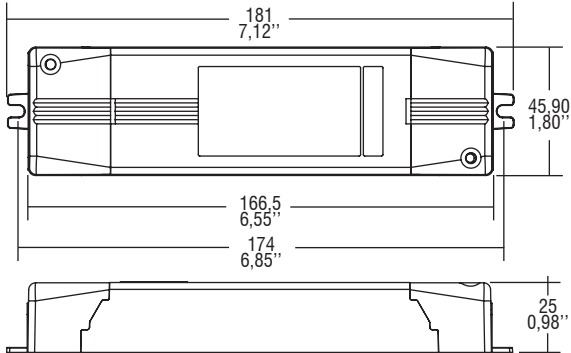
### Dati tecnici

- Lunghezza cavo batteria: 280 mm / 11".
- Lunghezza cavo LED: 350 mm / 13,8".
- Foro di montaggio LED: Ø 9 mm / 0,35".
- Corrente di alimentazione: 20 mA max.
- Portata morsettiera: 1,5 mm<sup>2</sup> / AWG15.
- Distanza massima dall'alimentatore dalla lampada: 2 m / 6 ft.

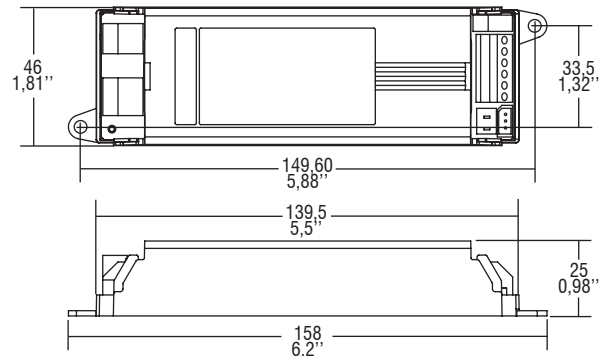
## Emergency light KIT for power LED and LED modules KIT per luce d'emergenza per power LED e moduli LED

Made in Italy

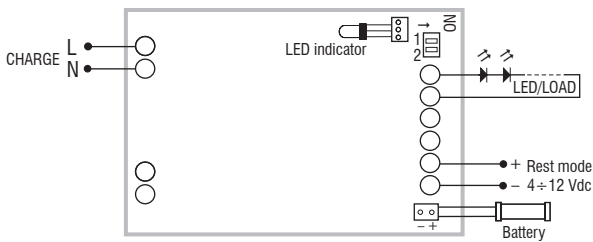
**IP 20** **SCREW FIXING** Ø56 2,20" Weight - Peso: gr. - / - oz. Pcs - Pezzi 1



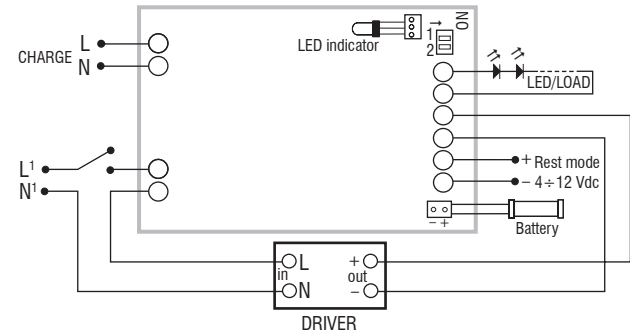
**BUILT-IN** **SCREW FIXING** Weight - Peso gr. - / - oz. Pcs - Pezzi 25



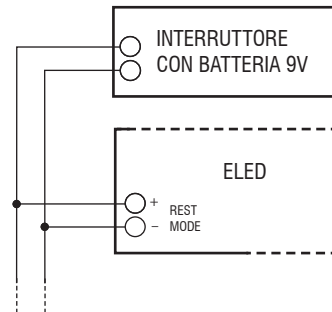
### Wiring diagrams - Schemi di collegamento (max. LED distance: 2 mt / 6 ft - Distanza max. LED: 2 mt / 6 ft).



Non-maintained (emergency only) diagram  
Collegamento non permanente (solo emergenza)



Maintained with external electronic driver diagram  
Collegamento permanente (illuminazione ordinaria)



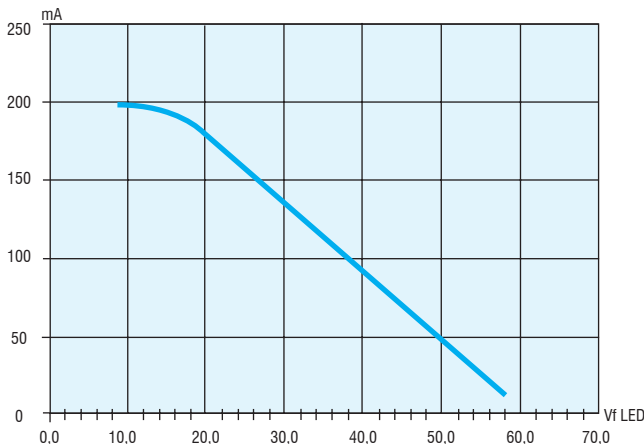
#### Remote control device with 9V battery

It allows both to switch off the emergency lamps during emergency mode. The rest mode is automatically reset when mains voltage is restored. This remote control device can be installed so as to operate several emergency units at the same time.

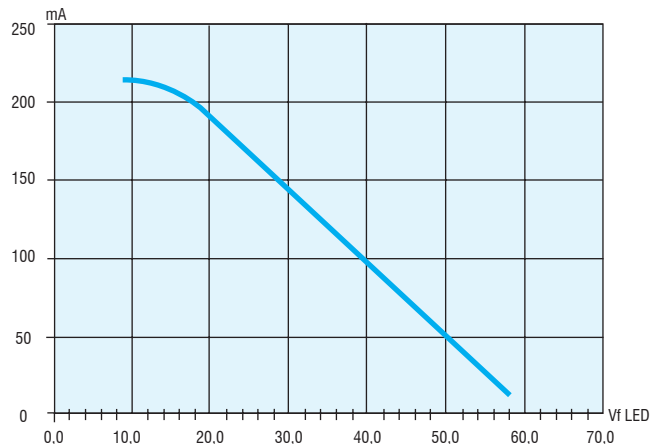
#### Con interruttore centralizzato connesso a batteria 9V

Permette lo spegnimento delle lampade durante il funzionamento in emergenza. Al rientro della tensione di rete il sistema si predisporrà ad un nuovo intervento in emergenza.

**ELED HP 1h**



**ELED HP 3h**



| DIP-SWITCH | Working voltage during emergency (V <sub>e</sub> )<br>Tensione di lavoro in emergenza (V <sub>e</sub> ) | Output current during emergency (I)<br>Corrente in uscita in emergenza (I) | Power max. for LED modules<br>Potenza max. per moduli LED |
|------------|---|--|---|
| <b>A</b>   | 12 V cost.  | 200 ± 10%  | 24 W  |
| <b>B</b>   | 24 V cost.  | 160 ± 10%  | 30 W  |
| <b>C</b>   | 46 V cost.  | 60 ± 10%   | 50 W  |
| <b>D</b>   | 9...58 V  | 200...30mA   | -   |