

ID ISC.PRH101-A

ID ISC.PRH101-B

ID ISC.PRH101-USB



Note

© Copyright 2005-2007 by
FEIG ELECTRONIC GmbH
Lange Strasse 4
D-35781 Weilburg-Waldhausen
Tel.: +49 6471 3109-0
<http://www.feig.de>

With the edition of this document, all previous editions become void. Indications made in this manual may be changed without previous notice.

Copying of this document, and giving it to others and the use or communication of the contents thereof are forbidden without express authority. Offenders are liable to the payment of damages. All rights are reserved in the event of the grant of a patent or the registration of a utility model or design.

Composition of the information in this document has been done to the best of our knowledge. FEIG ELECTRONIC GmbH does not guarantee the correctness and completeness of the details given in this manual and may not be held liable for damages ensuing from incorrect or incomplete information. Since, despite all our efforts, errors may not be completely avoided, we are always grateful for your useful tips.

The instructions given in this manual are based on advantageous boundary conditions. FEIG ELECTRONIC GmbH does not give any guarantee promise for perfect function in cross environments and does not give any guaranty for the functionality of the complete system which incorporates the subject of this document.

FEIG ELECTRONIC call explicit attention that devices which are subject of this document are not designed with components and testing methods for a level of reliability suitable for use in or in connection with surgical implants or as critical components in any life support systems whose failure to perform can reasonably be expected to cause significant injury to a human. To avoid damage, injury, or death, the user or application designer must take reasonably prudent steps to protect against system failures.

FEIG ELECTRONIC GmbH assumes no responsibility for the use of any information contained in this document and makes no representation that they free of patent infringement. FEIG ELECTRONIC GmbH does not convey any license under its patent rights nor the rights of others.

OBID® and OBID i-scan® are registered trademarks of FEIG ELECTRONIC GmbH.

I-CODE® is a registered trademark of Philips Electronics N.V.

Tag-it™ is a registered trademark of Texas Instruments Incorporated.

Bluetooth® is a registered trademark of Bluetooth SIG Inc.

Contents

1. Safety Instructions / Warning - Read before start-up !	4
2. Performance Features of the ID ISC.PRH101	5
2.1. Performance features	5
2.2. Available Reader-Types	5
3. Control and Display Elements	6
3.1. Signal buzzer	6
3.2. Scan - button	6
3.3. LED	7
4. Assembly and Wiring	8
4.1. Reader with asynchronous interface ID ISC.PRH101-A	8
4.1.1. Asynchronous interface RS232	8
4.1.2. Supply voltage	9
4.2. Reader with Bluetooth™ interface ID ISC.PRH101-B	10
4.2.1. Bluetooth™(BT) interface	10
4.2.2. Supply voltage	11
4.2.3. Charging the batteries	12
4.2.4. Reset - button (ID ISC.PRH101-B only)	13
4.3. Reader with USB-interface ID ISC.PRH101-U	14
5. Technical Data	15
6. Approvals	17
6.1. USA (FCC)	17
6.2. USA (UL, ID ISC.PRH100 Type A and Type USB)	17
6.3. Europe (CE)	17
7. Appendix	19
7.1. Accessories	19
7.2. Scope of delivery	19

1. Safety Instructions / Warning - Read before start-up !

- The device may only be used for the intended purpose designed by for the manufacturer.
- The operation manual should be conveniently kept available at all times for each user.
- Unauthorized changes and the use of spare parts and additional devices which have not been sold or recommended by the manufacturer may cause fire, electric shocks or injuries. Such unauthorized measures shall exclude any liability by the manufacturer.
- The liability-prescriptions of the manufacturer in the issue valid at the time of purchase are valid for the device. The manufacturer shall not be held legally responsible for inaccuracies, errors, or omissions in the manual or automatically set parameters for a device or for an incorrect application of a device.
- Repairs may only be executed by the manufacturer.
- Installation, operation, and maintenance procedures should only be carried out by qualified personnel.
- Use of the device and its installation must be in accordance with national legal requirements and local electrical codes .
- When working on devices the valid safety regulations must be observed.
- Special advice for carriers of cardiac pacemakers:
Although this device doesn't exceed the valid limits for electromagnetic fields you should keep a minimum distance of 25 cm between the device and your cardiac pacemaker.

2. Performance Features of the ID ISC.PRH101

2.1. Performance features

The ID ISC.PRH101 are devices for contactless data exchange with common Transponder according ISO 15693. The readers have an internal antenna and will be delivered ready for connection. The device is designed as a handheld.

An anti-collision function enables simultaneous reading of several transponders per second.

The Reader electronic is fitted in a plastic housing with a protection class IP30.

The Reader ID ISC.PRH101-A has an asynchronous RS232 interface, the ID ISC.PRH101-B has an Bluetooth interface and the ID ISC.PRH101-USB has an USB interface.

2.2. Available Reader-Types

Following Reader-Types are available at present:

Reader-Types	Description
ID ISC.PRH101-A	asynchronous RS232 interface with internal antenna and voltage supply by means of external 5 V DC/--- power supply.
ID ISC.PRH101-B	Bluetooth interface with internal antenna and voltage supply by means of 4 rechargeable Mignon AA batteries
ID ISC.PRH100-USB	USB interface with internal antenna and voltage supply by means of USB-High Powered Interface

Tabelle 1: Reader-Types

3. Control and Display Elements

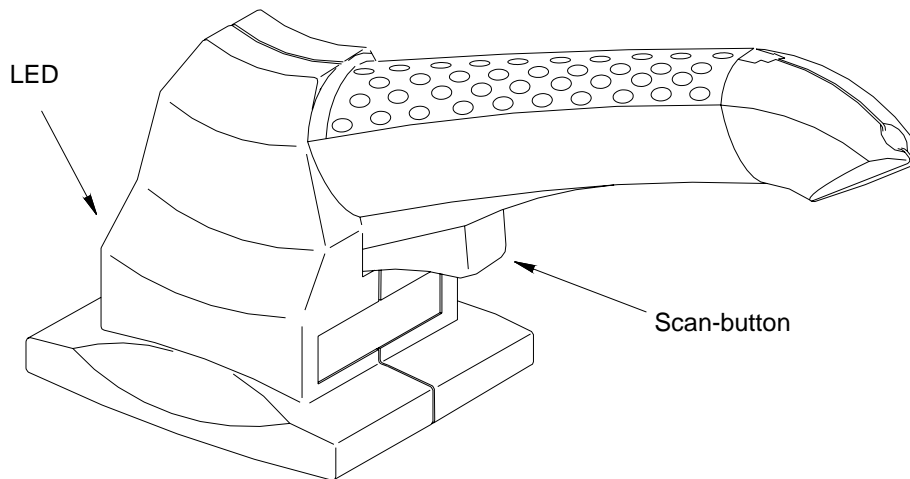


Fig. 1: Control and Display Elements

3.1. Signal buzzer

The signal buzzer can be configured by the software.

In the standard configuration the signal buzzer will be active if a Transponder is recognised.

3.2. Scan - button

The switch of the reader can be configured by the software.

In the standard configuration the serial number of the Transponder is read and is sent to the host after pressing the scan - button.

3.3. LED

The Reader's LED can be configured through software.

Abbreviation	Description
LED green	"RUN " - Turns on when the Reader is ready. - Flashes during Bluetooth initialization and connection establishment. (only ID ISC.PRH101-B)
LED blue	„TRANSPONDER“ - Turns on when a Transponder is detected.
LED red	„WARNING“ - Signals a warning - Turns on if battery voltage is flat (no more scanning possible - only ID ISC.PRH101-B)
LED orange	„INITIALIZING “ and „WARNING“ - Flashes during Reader initialization after power-up. - Turns on if battery voltage is too low (rechargeable battery must be charged – only ID ISC.PRH101-B)
LED violet (red & blue)	„INITIALIZING internal Bluetooth interface“ - Turns on during writing bluetooth parameters in internal bluetooth interface.

Table 2: Standard configuration of the LEDs

4. Assembly and Wiring

4.1. Reader with asynchronous interface ID ISC.PRH101-A

4.1.1. Asynchronous interface RS232

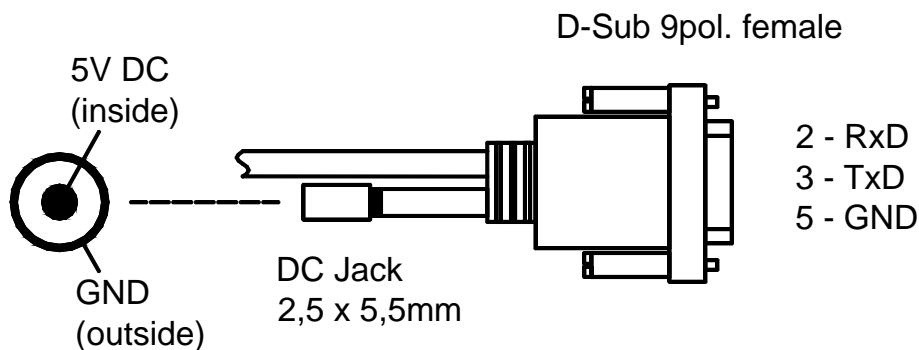


Fig. 2: Connection plug of the readers

The reader has a fixed connected interface cable with a connection for the power supply. The connection of the RS232 interface follows over the 9-pin D-Sub socket.

The COM-port settings can be configured by the software

Pin configuration of the 9-pin D-Sub socket (RS232-Interface):

Pin	Symbol	Description
2	TxD	RS232 – TxD
3	RxD	RS232 – RxD
5	GND	RS232 – GND
1; 4; 6-9	---	n.c.

Tabelle 3: Pin configuration of the RS232 interface

Note:

If there is an USB/RS232 converter used on the PC/Notebook side, we recommend to increase the „Char Timeout Multiplier“ parameter in the COM-Port settings from „1“ to about „5“.

4.1.2. Supply voltage

Voltage supply will be connected via the DC/--- Jack at the end of the interface cable. Connect a regulated 5 V DC/--- supply voltage.

The reader must be supplied with a “Limited power source”. This power-supply is allowed to supply a maximum current of 8 ampere.

DC-Coupler Plug	Symbol	Description
Inside	+5V	+ 5,0 V DC/--- ± 0,2 V – Power Supply
Outside	GND	Ground – Power Supply

Table 4: Connecting of the Power Supply

Note:

- Reversing the polarity of the supply voltage may destroy the device.
- Voltages of more than 5.5 V DC/--- may destroy the device

Power supply recommendations :

To take full advantage of the Reader module performance, you must use a sufficiently regulated and low-noise power supply. Preferred is a linear power supply with 5V DC/--- / 1300 mA. When using a switching power supply, be sure that its internal switching frequency is less than 300 kHz. (see:[7.1. Accessories](#)).

Feig Article No.	Part No.
1689.000.00.00	ID NET.5VDC

Table 5: Recommended power supply

4.2. Reader with Bluetooth™ interface ID ISC.PRH101-B

The Reader has a Bluetooth port. The supply voltage is provided only by rechargeable batteries.

The Reader is activated using the Scan button. This opens a Bluetooth connection automatically within approx. 3 seconds. The Reader is now ready to use. After releasing the button, the Reader remains active for several minutes. During this time the Bluetooth connection remains open. Pressing the button again immediately starts a Scan.

4.2.1. Bluetooth™(BT) interface

Communication to the Reader is through a Bluetooth connection. Bluetooth is a short-distance wireless RF connection which enables permanent wireless communications connections between portable and desktop or peripheral devices. Each Bluetooth device has a unique address and can be optionally identified with a self-explanatory name. Password protection is used for security of a Bluetooth connection, with the Bluetooth partner being added to a confidential list. SSP (Serial Port Profile) is used.

Initial setup of a “paired connection“ to the Reader is done by the host. After initial setup the establishment of the bluetooth connection happens automatically by pressing the Scan button. To establish a connection to another Bluetooth-Dongle you must first clear the existing “paired connection” entry in the bluetooth interface of the reader (see 4.2.4. Reset - button (ID ISC.PRH101-B only)).

All Readers have a factory set name and a preset password. The name "OBID_PRH101B" consists of a fixed (OBID_PRH) and a user modifiable (101B) part.

Description	Default setting
Name variable	101B
Password	1234

Table 6: Standard configuration of the Bluetooth Interface

Note:

The COM-Port setting “Char Timeout Multiplier” from PC or Notebook should be increased to 9-10 if a Bluetooth reader is used.

4.2.2. Supply voltage

The Reader is powered by rechargeable batteries. Four AA type rechargeable batteries are used. These are inserted into the handle of the Reader. To change the batteries, remove the battery cover. After unlatching the springs the cover can be removed. The rechargeable batteries are placed in the compartment according to the + and – symbols indicated (note polarity). Then replace the cover and listen for the spring to audibly latch.

General type	Europe	USA	Size (D*I)
Mignon	R6 / UM-3	AA	15mm * 51mm

Table 7: Designations for rechargeable Mignon-type batteries

Notes:

- Use only Nickel/Cadmium (NiCd) or Nickel/Metal Hydride (NiMH) batteries.
- Do not use single-use batteries (e.g. zinc-carbon / alkaline) batteries.
- Reversed polarity may destroy the device.
- Rechargeable batteries should never be discarded with normal trash; please return them to a proper collection location !

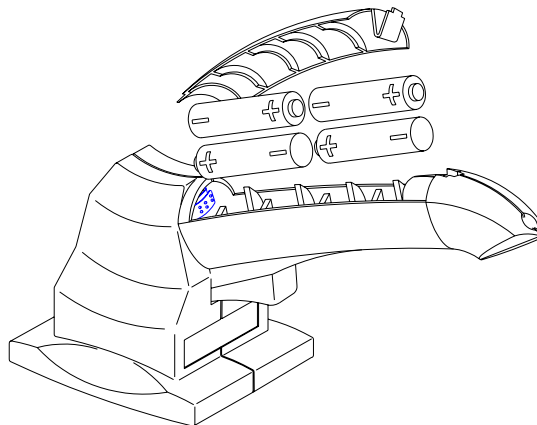


Fig. 3: Inserting the rechargeable batteries

4.2.3. Charging the batteries

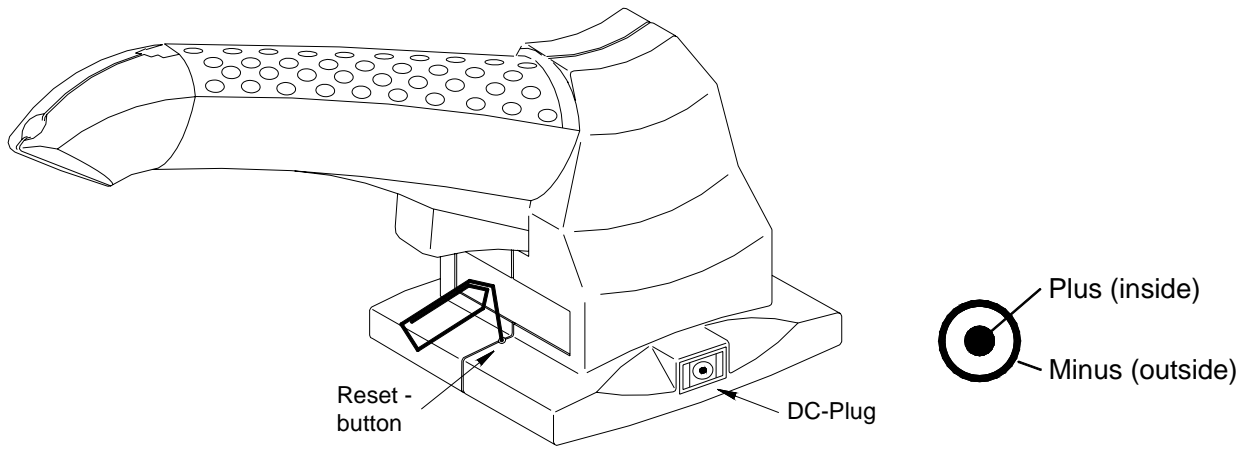


Fig. 4+ 5: ID ISC.PRH101-B: Reset button and DC/--- plug 2.1mm*5.5mm

The rechargeable batteries may remain in the Reader for charging. You will need an external charger connected to the DC/--- jack.

DC jack	Abbreviation	Description
Inside	+	Plus – charge voltage
Outside	-	Minus – charge voltage

Table 8: Charger connection

Note:

- Reversing the polarity of the charger can destroy the batteries.
- The Reader is not functional while the batteries are charging.

Charger :

Use a charger suitable for the battery type specified (4-cell pack).

Feig Article No.	Name
2650.000.00	ID CHA.NiMH-A

Table 9: Recommended charger

The recommended charger is designed for nickel/cadmium (NiCd) type rechargeable batteries and nickel/metal hydride (NiMH) with a capacity range of 800mAh to 7200 mAh.

Alternately the batteries can be removed from the Reader and charged in a separate battery charger.

4.2.4. Reset - button (ID ISC.PRH101-B only)

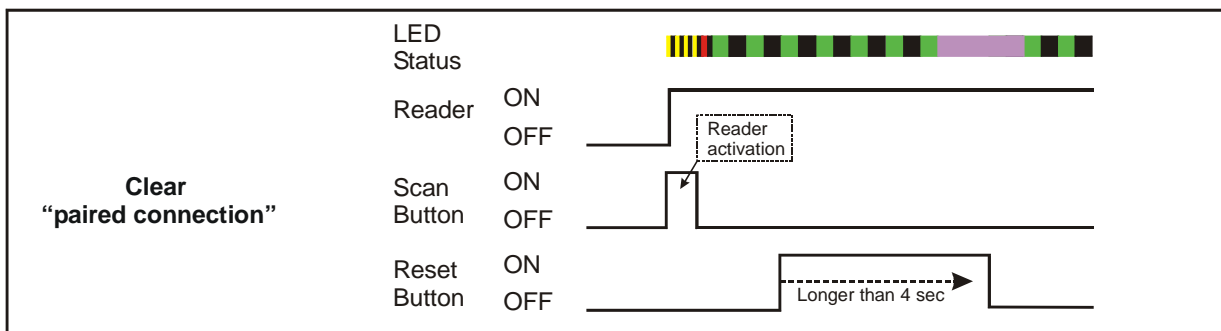
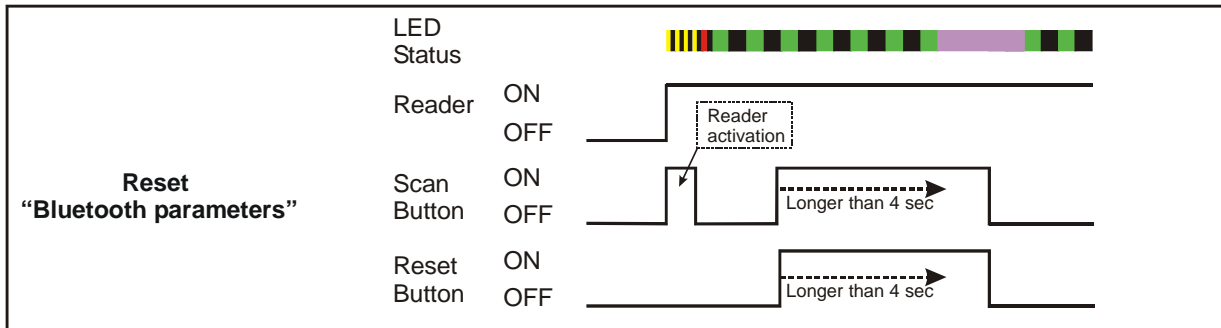
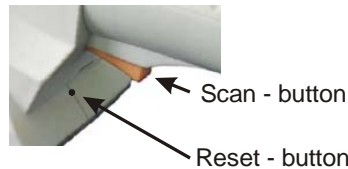
The Reader has a reset button. Below the yellow Scan button is a small hole in the housing. Below this is the Reset button. On the one hand you can restore the Bluetooth settings to their original configuration on the other hand you can clear a existing "paired connection" entry.

1. Reset Bluetooth parameters of the reader to its factory settings

After activating the Reader with the Scan button the Reader is reset to its factory settings by holding the Reset button and the Scan button down for longer than 4 seconds until the violet LED light up.

2. Clear "paired connection" entry in internal bluetooth interface

After activating the Reader with the Scan button the "paired connection" entry in Bluetooth interface is cleared by holding the Reset button down for longer than 4 seconds until the violet LED light up.



4.3. Reader with USB-interface ID ISC.PRH101-U

The Powersupply follows though the USB-interface (Bus-powered)

The USB-interface must support a current of 500mA (High Powered Interface)

The data rate of the reader is reduced to 12 Mbit (USB high speed).

The reader dispose of a fixed connected interfaces cable with standardized USB-connector. The Reader must only be connected to the USB-port of the PC.

If the reader is used for the first time, it must be registered in the operating system of the computer. For this the instruction "M30100-xde-ID-B: Installation of the OBID USB driver" can be used

5. Technical Data

Mechanical Data

- **Housing** ABS plastic (enclosed)
- **Dimensions (W x H x D)** 230 x 100 x 80 mm (9,06 x 3,94 x 3,15 inch)
- **Weight** 320 g
- **Degree of Protection** IP 30
- **Cable length**
 - ID ISC.PRH101-A approx. 2,5 m / 8,2 ft.
 - ID ISC.PRH101-B no cable
 - ID ISC.PRH101-USB approx. 2,5 m / 8,2 ft.
- **Color** similar RAL 9002

Electrical Data

- **Supply Voltage**
 - ID ISC.PRH100-A 5,0 V DC/--- ± 0,2 V regulated
 - ID ISC.PRH101-B 4 Mignon AA rechargeable batteries
 - ID ISC.PRH100-USB USB - High Powered Interface
- **Current Draw** max. 0,5 A
- **Power Consumption** max. 2,5 VA
- **Operating Frequency** 13,56 MHz
- **Transmitting Power** 0,5 W ± 2 dB
- **Antenna** internal antenna
- **Interface**
 - ID ISC.PRH100-A RS232
 - ID ISC.PRH101-B Bluetooth (Serial port profile)
 - ID ISC.PRH100-USB USB (12 Mbit)

Functional Properties

- **Protocol Modes**
 - FEIG ISO HOST
 - Scan Mode
- **Supported Transponders**
 - ISO15693, ISO18000-3-Mode1
(EM HF ISO Chips, Fujitsu HF ISO Chips, KSW Sensor Chips, Infineon my-d, NXP I-Code, STM LRI ISO Chips, TI Tag-it)
 - NXP I Code 1, I Code UID, I Code EPC
- **Address setting for interface**
 - ID ISC.PRH101-B Bluetooth MAC address
 - ID ISC.PRH100-USB Device ID of the Readers
- **Indicators**
 - optical 1 LED (multicolor – red / green / blue)
 - acoustical buzzer

Ambient Conditions

- **Temperature range**
 - Operation 0°C to +50°C (32°F to 122°F)
 - Storage -20°C to +70°C (-4°F to 158°F)
- **Humidity** 5 – 95% non condensing

Applicable Norms

- **Radio approval**
 - Europe EN 300 330
 - USA FCC 47 CFR Part 15
- **EMC** ETSI EN 301 489
- **Safety**
 - low voltage UL 60950-1
 - Human Exposure EN 50364
- **Fall** Withstands multiple 5´/1,5 m drops to concrete

6. Approvals

6.1. USA (FCC)

FCC ID PJMPRH101

This device complies with Part 15 of the FCC Rules. Operation is subject to the following two conditions:

- (1) this device may not cause harmful interference, and
- (2) this device must accept any interference received, including interference that may cause undesired operation.

Any changes or modifications not expressly approved by the party responsible for compliance could void the user's authority to operate the equipment.

6.2. USA (UL, ID ISC.PRH100 Type A and Type USB)



The following picture indicates the label position.



6.3. Europe (CE)

When properly used this radio equipment conforms to the essential requirements of Article 3 and the other relevant provisions of the R&TTE Directive 1999/5/EC of March 99.



Equipment Classification according to ETSI EN 300 330 and ETSI EN 301 489: Class 2

Declaration of Conformity

in accordance with the
**Radio and Telecommunication Terminal
 Equipment Act (FTEG)**
 and
Directive 1999/5/EC (R&TTE Directive)

FEIG ELECTRONIC

Product Manufacturer : **FEIG ELECTRONIC GmbH**
 Lange Strasse 4
 D-35781 Weilburg
 Germany
 Phone +49 6471 3109 0

Product Designation : **ID ISC.PRH101**

Product Description : **Induktive Loop System**

Radio equipment, Equipment class (R&TTE) : **Class 2**

FEIG ELECTRONIC GmbH declares that the radio equipment complies with the essential requirements of §3 and the other relevant provisions of the FTEG (Article 3 of the R&TTE Directive), when used for its intended purpose.

Standards applied :

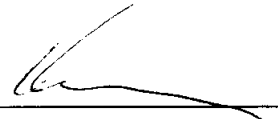
Health and safety requirements pursuant to § 3 (1) 1. (Article 3(1) a))	EN 60950-1:2001 EN 50364:2001		
Protection requirements concerning electromagnetic compatibility § 3 (1) 2. (Article 3(1) b))	ETSI EN 301489-3	V1.4.1	(08-2002)
Measures for the efficient use of the radio frequency spectrum pursuant to § 3 (2) (Article 3(2))	ETSI EN 300 330-2	V1.1.1	(06-2001)

Weilburg-Waldhausen, 18.10.2005

Place & date of issue

Eldor Walk

Name and signature



This declaration attests to conformity with the named Directives but does not represent assurance of properties. The safety guidelines in the accompanying product documentation must be observed.

7. Appendix

7.1. Accessories

The following accessories are available for the Reader.

Artikel Nr.	Bezeichnung	Beschreibung
1689.000.00	ID NET.5VDC	5 V DC/--- power supply with suitable connector for ID ISC.PRH101-A.
2650.000.00	ID CHA.NiMH-A	Batterie charger with suitable connector for ID ISC.PRH101-B

Table 10: Accessories

7.2. Scope of delivery

Reader	Scope of delivery
ID ISC.PRH101-A	- Reader ID ISC.PRH101-A - Quick user guide - CD
ID ISC.PRH101-B	- Reader ID ISC.PRH101-B - Quick user guide - CD incl. driver
ID ISC.PRH101-USB	- Reader ID ISC.PRH101-USB - Quick user guide - CD

Table 11: Scope of delivery

Note:

Power supply, rechargeable batteries and battery charger are not included in delivery