

# MAXI JOLLY US MIDNIGHT



Direct current dimmable electronic drivers with DIP-SWITCH  
Alimentatori elettronici regolabili in corrente continua con DIP-SWITCH

Made in Italy



Accessories not supplied - Accessori non a corredo		
Article - Articolo	L (length)	Code - Codice
Synchronization cable Cavetto di sincronizzazione	1,5 m / 4 ft	485720512
	4 m / 13 ft	485720513
	50 cm / 19,68"	485720515
	20 cm / 7,87"	485720516

3.1.6



**Rated Voltage**  
Tensione Nominale  
110 ÷ 127 V <sup>(2)</sup>  
220 ÷ 240 V

**Frequency**  
Frequenza  
50/60 Hz

**AC Operation range**  
Tensione di utilizzo AC  
99 ÷ 264 V

**DC Operation range**  
Tensione di utilizzo DC  
(see page info15)  
DC 170 ÷ 280 V  
(NO operation mode)

**Power**  
Potenza  
1 ÷ 50 W

**Output current ripple**  
≤ 3% <sup>(1)</sup>

**Reference Norms**  
Norme di riferimento  
CSA-C22.2 n° 107.1 <sup>(2)</sup>  
CSA-C22.2 n° 250.13 <sup>(2)</sup>  
EN 50172 (VDE 0108)  
EN 55015  
EN 61000-3-2  
EN 61000-3-3  
EN 61347-1  
EN 61347-2-13  
EN 61547  
EN 62384  
UL 1012 <sup>(2)</sup>  
UL 8750 <sup>(2)</sup>

**Max. pcs for CB B16A**  
(see page info17)  
15 pcs

**In rush current**  
20A 400µsec

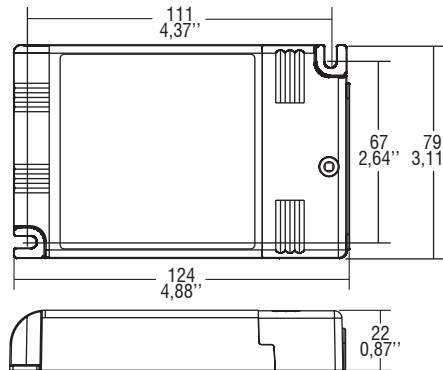


Article Articolo	Code Codice	P out W	V out DC <sup>(1)</sup>	I out DC	V out max.	ta °C	tc °C	λ max. Power Factor	η max. Efficiency <sup>(1)</sup>
<b>DC MAXI JOLLY US MIDNIGHT</b>	122416 122416CC <sup>(3)</sup>	25 (25 <sup>(2)</sup> )	2...74	350 mA cost	90	-25...+50	85	0,95	> 89
		35 (35 <sup>(2)</sup> )	2...72	500 mA cost.					
		39 (39 <sup>(2)</sup> )	2...72	550 mA cost.					
		46 (40 <sup>(2)</sup> )	2...72	650 mA cost.					
		50 (40 <sup>(2)</sup> )	2...71	700 mA cost.					
		50 (40 <sup>(2)</sup> )	2...66	750 mA cost.					
		50 (40 <sup>(2)</sup> )	2...58	850 mA cost.					
		50 (40 <sup>(2)</sup> )	2...55	900 mA cost.					
		50 (40 <sup>(2)</sup> )	2...48	1,05 A cost.					
		48Vout voltage limit settable with Dip-Switch - Poutmax=50W							

<sup>(1)</sup> Referred to V<sub>in</sub> = 230 V, 100% load - Riferito a V<sub>in</sub> = 230 V, carico 100%  
<sup>(3)</sup> With conformal coating - Con tropicalizzazione

CODE	122416	122416T	122416X
Reduction Time T1/T2 see page MIDNIGHT	T1=3h T2=5h %=50%	T1=2h T2=6h %=20%	T1=2h T2=5h %=50%

**IP 20** **SCREW FIXING** **Ø84 3,31"** **Weight - Peso:**  
gr. 210 / 7,4 oz.  
**Pcs - Pezzi** 50

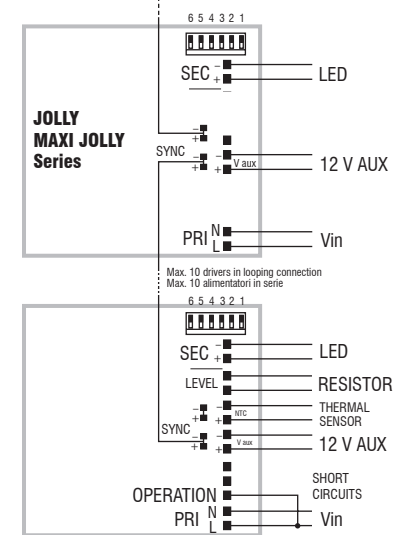


## Features

- IP20 independent driver.
- Class II protection against electric shock for direct or indirect contact.
- Active Power Factor Corrector.
- Analogical input for thermal sensor connection.
- Auxiliary output 12 V max. 100 mA.
- Current regulation ±5 % including temperature variations.
- Input and output terminal blocks on the same side (wire cross-section up to 2,5 mm<sup>2</sup> / AWG13).
- Clamping screws on primary and secondary circuits for cables with diameter: min. 3 mm - max. 8 mm.
- Protections:
  - against overheating and short circuits;
  - against mains voltage spikes;
  - against overloads.

## Wiring diagram - Schema di collegamento

(Max. LED distance at page info8 - Massima distanza LED a pagina info8)



## Caratteristiche

- Alimentatore indipendente IP20.
- Protetto in classe II contro le scosse elettriche per contatti diretti e indiretti.
- PFC attivo.
- Entrata analogica per connessione sensore termico.
- Uscita ausiliare 12 V max. 100 mA.
- Corrente regolata ±5 % incluse variazioni di temperatura.
- Morsetti di entrata e uscita sullo stesso lato (sezione cavo fino a 2,5 mm<sup>2</sup> / AWG13).
- Serracavo su primario e secondario per cavi di diametro: min. 3 mm - max. 8 mm.
- Protezioni:
  - termica e cortocircuito;
  - contro le extra-tensioni di rete;
  - contro i sovraccarichi.

Dimmable multipower DIP-SWITCH drivers - Compact case - MIDNIGHT  
Alimentatori multipotenza regolabili con DIP-SWITCH - Formato compatto - MIDNIGHT