

BLL BEACON SENS



WIRELESS BLL interface with BEACON Interfaccia WIRELESS BLL con BEACON



0/1...10V

PLV



SELV 60V

W.3

Wireless systems components - BLL
Componenti per sistemi wireless - BLL



Rated Voltage
Tensione Nominale
5 ÷ 24 Vdc

Standards compliance
EN 61347-1
EN 61347-2-11

Article Articolo	Code Codice	ta °C	tc °C
BLL BEACON SENS	135038	-25...+45	70

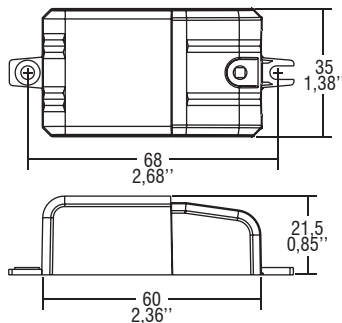
Optional version with external antenna - Versione opzionale con antenna esterna: **BLL BEACON SENS EX - cod. 135039**



IP 20



Weight - Peso:
gr. 40 / 1,40 oz.
Pcs - Pezzi 75



Features

- Programmable multipurpose **WIRELESS BLL** interface.
- Extremely low safety voltage 5...24 Vdc.
- It can be used for lighting equipment in protection class III.
- IP20 independent driver, for indoor use.
- Supplied with terminal cover and cable retainer.
- Input and output terminal blocks on same side.

Caratteristiche

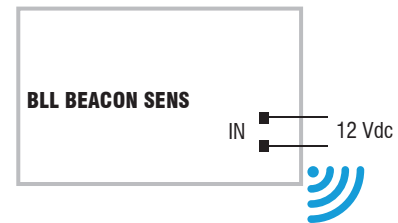
- Interfaccia **WIRELESS BLL** multifunzione programmabile.
- Alimentazione in bassissima tensione di sicurezza 5...24 Vdc.
- Utilizzabile per apparecchi di illuminazione in classe di protezione III.
- Alimentatore indipendente IP20, per uso interno.
- Fornito di coprimorsetto e serracavo.
- Morsetti di entrata e uscita sullo stesso lato.

Operation Mode

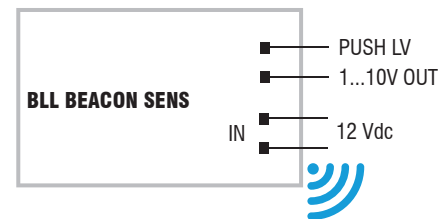
- Programmable modes via **BLL APP**:
 1. BEACON generator:
 - iBeacon / Eddystone - UID, URL, TLM;
 - BLL.
 2. DIMMING CONTROLLER + BEACON generator:
 - wireless BLL to 1...10V, max 10 mA;
 - programmable PUSH LV function to wireless BLL (PUSH LV: Low Voltage Push, no connection to the main).
 3. Compatible with optional Panasonic PIR SENSOR, conversion to BLL + BEACON generator.
 4. Compatible with optional DIGITAL SENSOR (I2C), conversion to BLL + BEACON generator.
- Additional features:
 - generic ADC input (0...3 Vdc);
 - datalogger, max 3000 records, minimum 1s sampling time;
 - possibility of OTA firmware update;
 - BEACON can be disabled.

Wiring diagram - Schema di collegamento

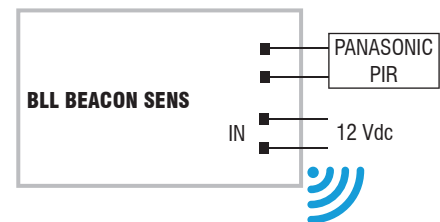
1. BLL BEACON ONLY



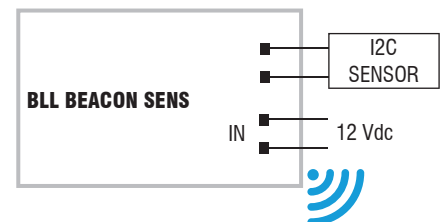
2. BLL to 1...10V / PUSH LV to BLL + BEACON



3. PIR SENSOR to BLL + BEACON



4. DIGITAL SENSOR (I2C) to BLL + BEACON



Check signal level when close to metal surfaces or inside metal box - Verificare livello del segnale in presenza di superfici o box di metallo

The data shown are preliminary and may change - I dati riportati sono preliminari e potrebbero subire variazioni