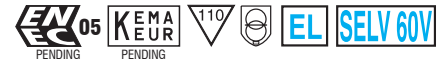


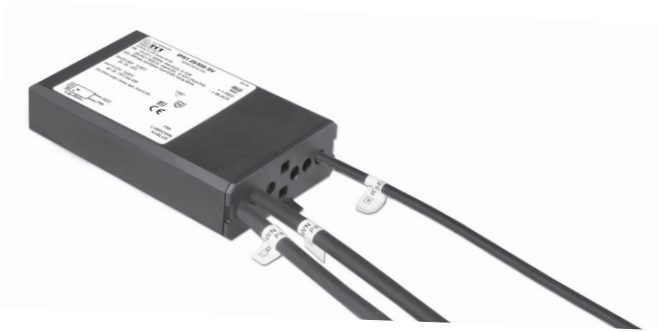
Direct current electronic drivers
Alimentatori elettronici in corrente continua

Made in Italy 

constant
CURRENT



RIPPLE FREE



Rated Voltage
Tensione Nominale
110 ÷ 127 V ⁽²⁾
220 ÷ 240 V

Frequency
Frequenza
50/60 Hz

AC Operation range
Tensione di utilizzo AC
99 ÷ 264 V

DC Operation range
Tensione di utilizzo DC
(see page info15)
DC 170 ÷ 276 V

Power
Potenza
5 ÷ 70 W

Output current ripple
≤ 3% ⁽¹⁾

Standards compliance
EN 50172 (VDE 0108)
EN 55015
EN 61000-3-2
EN 61000-3-3
EN 61347-1
EN 61347-2-13
EN 61547
EN 62384

Max. pcs for CB B16A
(see page info17)
30 pcs

In rush current
10A 200μsec

Article Articolo	Code Codice	INPUT LOOPING	P out W	V out DC ⁽¹⁾	I out DC	U out V	ta °C	tc °C	λ max. Power Factor	η max. Efficiency ⁽¹⁾
IPR1 25/500 SV	152001/500	-	5...25	10...50	500 mA	60	-40...+70	85	0,85 C	> 90
IPR1 25/500 SV LO	152002/500	✓	(5...25 ⁽²⁾)		cost.					
IPR1 35/700 SV	152001/700	-	7...35	10...50	700 mA	60	-40...+70	90	0,94 C	> 91
IPR1 35/700 SV LO	152002/700	✓	(7...35 ⁽²⁾)		cost.					
IPR1 45/900 SV	152001/900	-	9...45	10...50	900 mA	60	-40...+70	90	0,95	> 91
IPR1 45/900 SV LO	152002/900	✓	(9...40 ⁽²⁾)		cost.					
IPR1 52/1050 SV	152001/1050	-	10...52	10...50	1050 mA	60	-40...+60	90	0,95	> 91
IPR1 52/1050 SV LO	152002/1050	✓	(10...40 ⁽²⁾)		cost.					
IPR1 60/1200 SV	152001/1200	-	12...60	10...50	1200 mA	60	-40...+55	90	0,95	> 92
IPR1 60/1200 SV LO	152002/1200	✓	(12...40 ⁽²⁾)		cost.					
IPR1 70/1400 SV	152001/1400	-	14...70	10...50	1400 mA	60	-40...+55	90	0,95	> 92
IPR1 70/1400 SV LO	152002/1400	✓	(14...40 ⁽²⁾)		cost.					

Features

- Ultra high input spikes protection up to 10kV (see datasheet).
- IP68 independent driver.
- Class II protection against electric shock for direct or indirect contact.
- Supplied with 400 mm cables on primary and secondary circuit for connection.
- Active Power Factor Corrector.
- Current regulation ±5 % including temperature variations.
- Protections:
 - against overheating and short circuits;
 - against mains voltage spikes;
 - against overloads.
- Thermal protection = C.5.a.

Caratteristiche

- Elevata protezione contro spike di rete fino a 10kV (vedi datasheet).
- Alimentatore indipendente IP68.
- Protetto in classe II contro le scosse elettriche per contatti diretti e indiretti.
- Fornito di cavi da 400 mm su primario e secondario per il collegamento.
- PFC attivo.
- Corrente regolata ±5 % incluse variazioni di temperatura.
- Protezioni:
 - termica e cortocircuito;
 - contro le extra-tensioni di rete;
 - contro i sovraccarichi.
- Protezione termica = C.5.a.

7 YEARS WARRANTY
3% FAILURE RATE

10 YEARS WARRANTY
5% FAILURE RATE

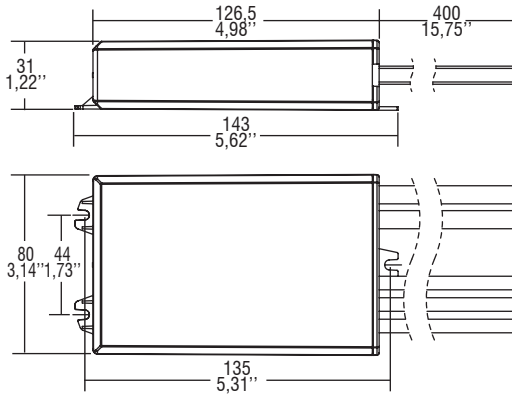
PRODUCER'S LIABILITY
10 YEARS WARRANTY
ACCORDING TO THE EUROPEAN CONSUMER DIRECTIVE 2011

The data shown are preliminary and may change - I dati riportati sono preliminari e potrebbero subire variazioni

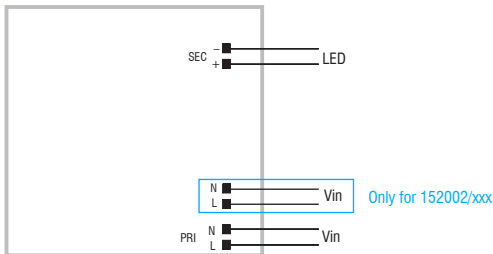
Direct current electronic drivers
Alimentatori elettronici in corrente continua

Made in Italy

CASE **IP 68** **SCREW FIXING** Ø86 3.38" Weight - Peso gr. 350 / 12 oz. Pcs - Pezzi -



Wiring diagram - Schema di collegamento (Max. LED distance on page info8 - Massima distanza LED a pagina info8)



6.

IP rated drivers
Alimentatori protetti IP