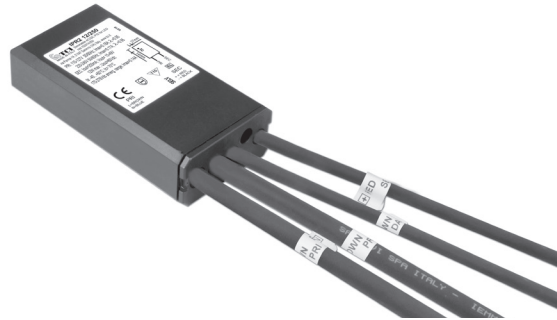
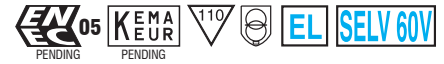


Direct current electronic drivers  
Alimentatori elettronici in corrente continua

Made in Italy 

constant  
**CURRENT**

**RIPPLE  
FREE**



**Rated Voltage**  
Tensione Nominale

110 ÷ 127 V <sup>(2)</sup>  
220 ÷ 240 V

**Frequency**  
Frequenza

50/60 Hz

**AC Operation range**  
Tensione di utilizzo AC

99 ÷ 264 V

**DC Operation range**  
Tensione di utilizzo DC

(see page info15)  
DC 170 ÷ 276 V

**Power**

**Potenza**  
1 ÷ 30 W

**Output current ripple**  
≤ 3% <sup>(1)</sup>

**Standards compliance**

EN 50172 (VDE 0108)  
EN 55015  
EN 61000-3-2  
EN 61000-3-3  
EN 61347-1  
EN 61347-2-13  
EN 61547  
EN 62384

**Max. pcs for CB B16A**  
(see page info17)  
50 pcs

**In rush current**  
5A 50μsec

Article Articolo	Code Codice	INPUT LOOPING	P out W	V out DC <sup>(1)</sup>	I out DC	U out V	ta °C	tc °C	λ max. Power Factor	η max. Efficiency <sup>(1)</sup>
<b>IPR2 12/250</b>	<b>152014/250</b>	-	4...12	15...49	250 mA cost.	60	-40...+70	90	0,95	> 85
<b>IPR2 12/250 LO</b>	<b>152016/250</b>	✓	(4...12 <sup>(2)</sup> )							
<b>IPR2 17/350</b>	<b>152014/350</b>	-	1...17	2...49	350 mA cost.	60	-40...+60	90	0,96	> 87
<b>IPR2 17/350 LO</b>	<b>152016/350</b>	✓	(1...15 <sup>(2)</sup> )							
<b>IPR2 24/500</b>	<b>152014/500</b>	-	1...24	2...49	500 mA cost.	60	-40...+60	90	0,97	> 88
<b>IPR2 24/500 LO</b>	<b>152016/500</b>	✓	(1...15 <sup>(2)</sup> )							
<b>IPR2 30/700</b>	<b>152014/700</b>	-	1...30	2...43	700 mA cost.	60	-40...+55	90	0,97	> 88
<b>IPR2 30/700 LO</b>	<b>152016/700</b>	✓	(1...15 <sup>(2)</sup> )							

6.

IP rated drivers  
Alimentatori protetti IP

**Features**

- Ultra high input spikes protection up to 4kV (see datasheet).
- IP68 independent driver.
- Class II protection against electric shock for direct or indirect contact.
- Supplied with 400 mm cables on primary and secondary circuit for connection.
- Active Power Factor Corrector.
- Current regulation ±5 % including temperature variations.
- Protections:
  - against overheating and short circuits;
  - against mains voltage spikes;
  - against overloads.
- Thermal protection = C.5.a.

**Caratteristiche**

- Elevata protezione contro spike di rete fino a 4kV (vedi datasheet).
- Alimentatore indipendente IP68.
- Protetto in classe II contro le scosse elettriche per contatti diretti e indiretti.
- Fornito di cavi da 400 mm su primario e secondario per il collegamento.
- PFC attivo.
- Corrente regolata ±5 % incluse variazioni di temperatura.
- Protezioni:
  - termica e cortocircuito;
  - contro le extra-tensioni di rete;
  - contro i sovraccarichi.
- Protezione termica = C.5.a.

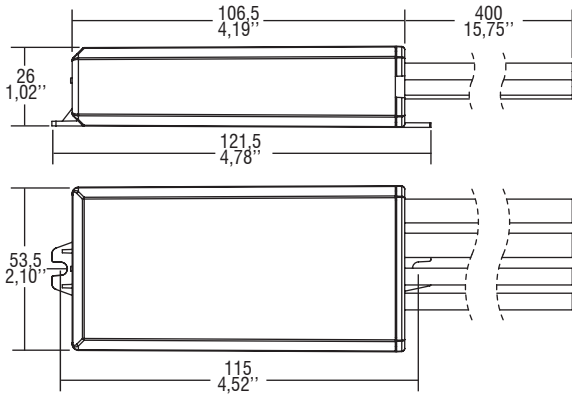


The data shown are preliminary and may change - I dati riportati sono preliminari e potrebbero subire variazioni

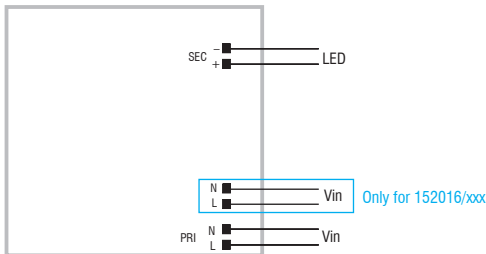
**Direct current electronic drivers**  
**Alimentatori elettronici in corrente continua**

Made in Italy

CASE **IP 68** **SCREW FIXING** **Ø60 2.36"** Weight - Peso gr. 250 / 9 oz.  
 Pcs - Pezzi -



**Wiring diagram - Schema di collegamento** (Max. LED distance on page info8 - Massima distanza LED a pagina info8)



## 6.

IP rated drivers  
 Alimentatori protetti IP