

# MAXI JOLLY SV PLV

Direct current dimmable electronic drivers with DIP-SWITCH  
Alimentatori elettronici regolabili in corrente continua con DIP-SWITCH

Made in Italy 



Accessories not supplied - Accessori non a corredo		
Article - Articolo	L (length)	Code - Codice
Synchronization cable Cavetto di sincronizzazione	1,5 m / 4 ft	485720512
	4 m / 13 ft	485720513
	50 cm / 19,68"	485720515
	20 cm / 7,87"	485720516

3.1.8



**Rated Voltage**  
Tensione Nominale  
110 ÷ 127 V <sup>(2)</sup>  
220 ÷ 240 V

**Frequency**  
Frequenza  
50/60 Hz

**AC Operation range**  
Tensione di utilizzo AC  
99 ÷ 264 V

**DC Operation range**  
Tensione di utilizzo DC  
(see page info15)  
DC 170 ÷ 280 V

**Power**  
Potenza  
3 ÷ 50 W

**Output current ripple**  
≤ 3% <sup>(1)</sup>

**Reference Norms**  
Norme di riferimento

- CSA-C22.2 n° 107.1 <sup>(2)</sup>
- CSA-C22.2 n° 250.13 <sup>(2)</sup>
- EN 50172 (VDE 0108)
- EN 55015
- EN 61000-3-2
- EN 61000-3-3
- EN 61347-1
- EN 61347-2-13
- EN 61547
- EN 62384
- UL 1012 <sup>(2)</sup>
- UL 8750 <sup>(2)</sup>

**Max. pcs for CB B16A**  
(see page info17)  
30 pcs

**In rush current**  
10A 200µsec



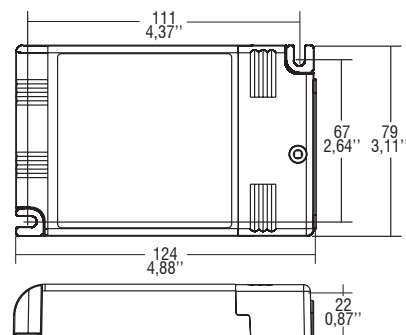
Article Articolo	Code Codice	P out W	V out DC <sup>(1)</sup>	I out DC	V out max.	ta °C	tc °C	λ max. Power Factor	η max. Efficiency <sup>(1)</sup>
DC MAXI JOLLY SV PLV	125509	18,5 (18,5 <sup>(2)</sup> )	10...53	350 mA cost.	60	-25...+50 -25...+55 <sup>(3)</sup>	90	0,96 <sup>(6)</sup>	> 92
		21 (21 <sup>(2)</sup> )	10...53	400 mA cost.					
		23,5 (23,5 <sup>(2)</sup> )	10...53	450 mA cost.					
		26,5 (26,5 <sup>(2)</sup> )	10...53	500 mA cost.					
		29 (29 <sup>(2)</sup> )	10...53	550 mA cost.					
		31,5 (31,5 <sup>(2)</sup> )	10...53	600 mA cost.					
		34,5 (34,5 <sup>(2)</sup> )	10...53	650 mA cost.					
		37 (37 <sup>(2)</sup> )	10...53	700 mA cost.					
		39,5 (39,5 <sup>(2)</sup> )	10...53	750 mA cost.					
		42 (42 <sup>(2)</sup> )	10...53	800 mA cost.					
		45 (42 <sup>(2)</sup> )	10...53	850 mA cost.					
		47,5 (40 <sup>(2)</sup> )	10...53	900 mA cost.					
		50 (40 <sup>(2)</sup> )	10...52	950 mA cost.					
		50 (40 <sup>(2)</sup> )	10...50	1 A cost.					
		50 (40 <sup>(2)</sup> )	10...48	1,05 A cost.					
50 (40 <sup>(2)</sup> )	10...45	1,1 A cost.							
50 (40 <sup>(2)</sup> )	10...43	1,15 A cost.							
50 (40 <sup>(2)</sup> )	10...41	1,2 A cost.							

<sup>(1)</sup> Referred to V<sub>m</sub> = 230 V, 100% load - Riferito a V<sub>m</sub> = 230 V, carico 100%

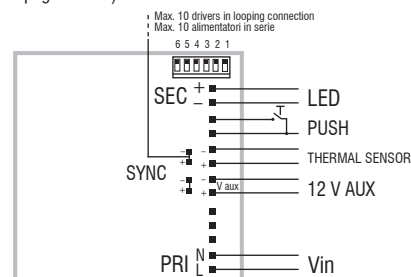


Compatible with ZHAGA (AM3)

Weight - Peso:  
gr. 150 / 5,3 oz.  
Pcs - Pezzi 50



**Wiring diagram - Schema di collegamento**  
(Max. LED distance at page info8 - Massima distanza LED a pagina info8)



**Features**

- IP20 independent driver, for indoor use.
- Class II protection against electric shock for direct or indirect contact.
- Active Power Factor Corrector.
- Analogical input for thermal sensor connection.
- Auxiliary output 12 V max. 100 mA.
- Current regulation ± 5 % including temperature variations.
- Input and output terminal blocks on the same side (wire cross-section up to 2,5 mm<sup>2</sup> / AWG13).
- Clamping screws on primary and secondary circuits for cables with diameter: min. 3 mm - max. 8 mm.
- Protections:
  - against overheating and short circuits;
  - against mains voltage spikes;
  - against overloads.

**Caratteristiche**

- Alimentatore indipendente IP20, per uso interno.
- Protetto in classe II contro le scosse elettriche per contatti diretti e indiretti.
- PFC attivo.
- Entrata analogica per connessione sensore termico.
- Uscita ausiliare 12 V max. 100 mA.
- Corrente regolata ± 5 % incluse variazioni di temperatura.
- Morsetti di entrata e uscita sullo stesso lato (sezione cavo fino a 2,5 mm<sup>2</sup> / AWG13).
- Serracavo su primario e secondario per cavi di diametro: min. 3 mm - max. 8 mm.
- Protezioni:
  - termica e cortocircuito;
  - contro le extra-tensioni di rete;
  - contro i sovraccarichi.

Dimmable multipower DIP-SWITCH drivers - Compact case - PLV  
Alimentatori multipotenza regolabili con DIP-SWITCH - Formato compatto - PLV