

INGRESSO

- Nominale: 110/240 Vac $\pm 10\%$ 50/60Hz.
176-264Vdc per applicazioni d'emergenza
- Morsettiera 3 poli x 0,2...1.5 mm². Seconda morsettiera per alimentazione di altra unità 5A max.
- Corrente massima: 0.18 A.
- Fattore di potenza λ : 0.95 @ Pout >12W.
- Armoniche corrente assorbita: secondo EN 61000-3-2.
- Inrush current: 5A 50uS.

USCITA

- Isolamento SELV.
- Morsettiera 1 x 0,5...2.5 mm².
- Connettore spox
- Selezione corrente e tensione di uscita tramite DIP switch
- Potenza massima e precisione di corrente @ 220/240Vac:
 - 12W @ 250mA $\pm 6\%$ (2...47V)
 - 14W @ 300mA $\pm 6\%$ (2...47V)
 - 17W @ 350mA $\pm 6\%$ (2...47V)
 - 19W @ 400mA $\pm 6\%$ (2...47V)
 - 21W @ 450mA $\pm 6\%$ (2...47V)
 - 24W @ 500mA $\pm 5\%$ (2...47V)
 - 25W @ 550mA $\pm 5\%$ (2...47V)
 - 28W @ 600mA $\pm 5\%$ (2...47V)
 - 30W @ 650mA $\pm 5\%$ (2...47V)
 - 32W @ 700mA $\pm 5\%$ (2...47V)
 - 32W @ 750mA $\pm 5\%$ (2...42V)
 - 32W @ 800mA $\pm 5\%$ (2...40V)
 - 32W @ 850mA $\pm 5\%$ (2...37.5V)
 - 33W @ 900mA $\pm 5\%$ (2...36.5V)
 - 20W @ 24.5V $\pm 5\%$ (900mA max)
 - 11W @ 12.5V $\pm 5\%$ (950mA max)
- Potenza massima e precisione di corrente @ 110/120Vac:
 - 12W @ 250mA $\pm 6\%$ (2...47V)
 - 14W @ 300mA $\pm 6\%$ (2...47V)
 - 15W @ 350mA $\pm 6\%$ (2...43V)
 - 15W @ 400mA $\pm 6\%$ (2...37V)
 - 15W @ 450mA $\pm 6\%$ (2...33V)
 - 15W @ 500mA $\pm 5\%$ (2...30V)
 - 15W @ 550mA $\pm 5\%$ (2...27V)
 - 15W @ 600mA $\pm 5\%$ (2...25V)
 - 15W @ 650mA $\pm 5\%$ (2...23V)
 - 15W @ 700mA $\pm 5\%$ (2...21V)
 - 15W @ 750mA $\pm 5\%$ (2...20V)
 - 15W @ 800mA $\pm 5\%$ (2...18V)
 - 15W @ 850mA $\pm 5\%$ (2...17V)
 - 15W @ 900mA $\pm 5\%$ (2...16V)
 - 15W @ 24.5V $\pm 5\%$ (620mA max)
 - 11W @ 12.5V $\pm 5\%$ (950mA max)
- Tensione in uscita massima: 57 VDC.
- Efficienza @ pieno carico: 89%.

INPUT

- Nominal: 110/240 Vac $\pm 10\%$ 50/60Hz.
176-264Vdc for emergency application
- Terminal block for up to 3 poles x 0,2...1.5 mm².
Second terminal block for re-send 5A max.
- Max Input Current: 0.18 A.
- Power factor λ : 0.95 @ Pout >12W.
- Harmonic content of main current: according to EN 61000-3-2.
- Inrush current: 5A 50uS.

OUTPUT

- SELV insulation on output.
- Terminal block up to 1 x 0,5...2.5 mm².
- Spox connector
- Selection of current and voltage output through DIP switch
- Max output power and current precision @ 220/240Vac:
 - 12W @ 250mA $\pm 6\%$ (2...47V)
 - 14W @ 300mA $\pm 6\%$ (2...47V)
 - 17W @ 350mA $\pm 6\%$ (2...47V)
 - 19W @ 400mA $\pm 6\%$ (2...47V)
 - 21W @ 450mA $\pm 6\%$ (2...47V)
 - 24W @ 500mA $\pm 5\%$ (2...47V)
 - 25W @ 550mA $\pm 5\%$ (2...47V)
 - 28W @ 600mA $\pm 5\%$ (2...47V)
 - 30W @ 650mA $\pm 5\%$ (2...47V)
 - 32W @ 700mA $\pm 5\%$ (2...47V)
 - 32W @ 750mA $\pm 5\%$ (2...42V)
 - 32W @ 800mA $\pm 5\%$ (2...40V)
 - 32W @ 850mA $\pm 5\%$ (2...37.5V)
 - 33W @ 900mA $\pm 5\%$ (2...36.5V)
 - 20W @ 24.5V $\pm 5\%$ (900mA max)
 - 11W @ 12.5V $\pm 5\%$ (950mA max)
- Max output power and current precision @ 110/120Vac:
 - 12W @ 250mA $\pm 6\%$ (2...47V)
 - 14W @ 300mA $\pm 6\%$ (2...47V)
 - 15W @ 350mA $\pm 6\%$ (2...43V)
 - 15W @ 400mA $\pm 6\%$ (2...37V)
 - 15W @ 450mA $\pm 6\%$ (2...33V)
 - 15W @ 500mA $\pm 5\%$ (2...30V)
 - 15W @ 550mA $\pm 5\%$ (2...27V)
 - 15W @ 600mA $\pm 5\%$ (2...25V)
 - 15W @ 650mA $\pm 5\%$ (2...23V)
 - 15W @ 700mA $\pm 5\%$ (2...21V)
 - 15W @ 750mA $\pm 5\%$ (2...20V)
 - 15W @ 800mA $\pm 5\%$ (2...18V)
 - 15W @ 850mA $\pm 5\%$ (2...17V)
 - 15W @ 900mA $\pm 5\%$ (2...16V)
 - 15W @ 24.5V $\pm 5\%$ (620mA max)
 - 11W @ 12.5V $\pm 5\%$ (950mA max)
- Max. Output voltage: 57 VDC.
- Efficiency @ full load: 89%.

PROTEZIONI

- All'ingresso, contro sovratensioni impulsive di rete (secondo EN 61547) fino a 3KV L-N , 4KV L-GND e 4KV N-GND.
- Protezione al corto circuito e al circuito aperto.
- Protezione al sovraccarico e di temperatura (C.5.e della EN 61347-1).

FILTRO ANTIDISTURBO EMI

- Secondo EN55015.

AMBIENTE

- Temp. ambiente: -25...45°C per 250...700mA
-25...40°C per 750...900mA
- $t_c = 65^\circ\text{C}$.
- $t_c \text{ life } 50000\text{H} = 62^\circ\text{C}$.

SICUREZZA

- Hi-pot test: 3.75 kV, 100% per 2 sec.

NORMATIVE

- EN 61347-1; EN 61347-2-13; EN 61547; EN 55015; EN 61000-3-2; EN50172; DIN VDE 0710 teil 14.
- ---.

DIMENSIONI (mm)

- L=160; B=83; L1=160; H=35.

PROTECTIONS

- Against input overvoltages from mains (according to EN61547) up to 3KV L-N, 4KV L-GND and 4KV N-GND.
- Against short circuit and open circuit.
- Thermal and overload protection (C.5.e EN 61347-1).

EMI FILTER

- According to EN55015.

AMBIENT

- Ambient temp.: -25...45°C per 250...700mA
-25...40°C per 750...900mA
- $t_c = 65^\circ\text{C}$.
- $t_c \text{ life } 50000\text{H} = 62^\circ\text{C}$.

SAFETY

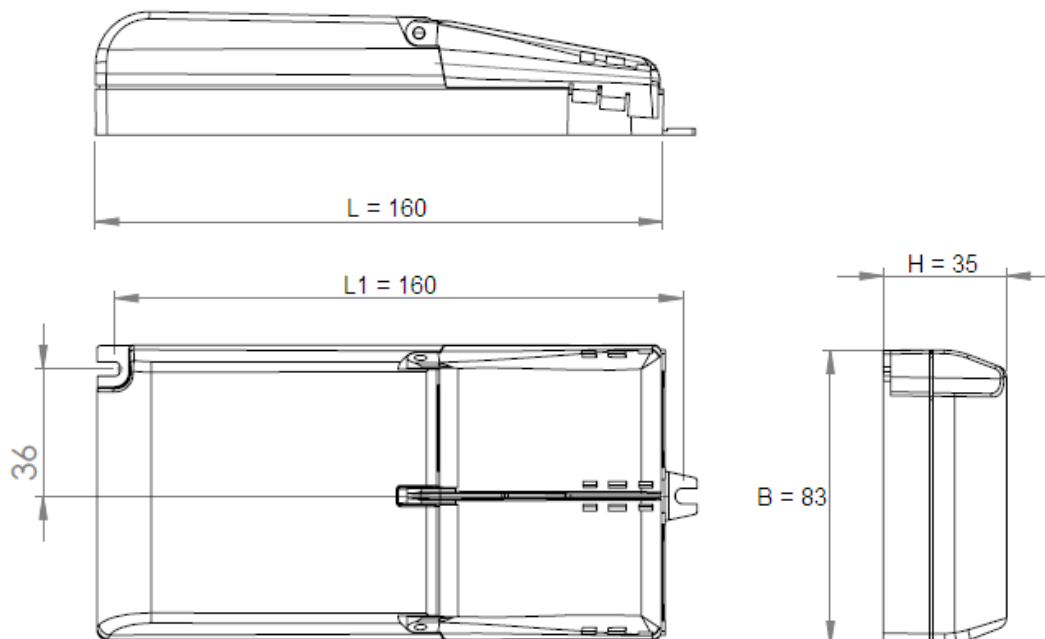
- Hi-pot test: 3.75 kV, 100% for 2 sec.

STANDARDS

- EN 61347-1; EN 61347-2-13; EN 61547; EN 55015; EN 61000-3-2; EN50172; DIN VDE 0710 teil 14.
- ---.

DIMENSIONS (mm)

- L=160; B=83; L1=160; H=35.



TCI **MP 32 TC**
 AC/DC P/S for LED
 cod. 122172

Pri. 110-127 V 50/60 Hz $I_{max}=0,18 A$ $\lambda=0,98$
 220-240 V 50/60 Hz $I_{max}=0,18 A$ $\lambda=0,95$
 Sec. 33W max; 250...900mA; ($V_{omax}=57Vdc$)
 12V/24V according to the switches selection
 $t_a = -25...+45^{\circ}C$ (250..700mA)
 $t_a = -25...+40^{\circ}C$ (750..900mA)

110..127V	220..240V	SEC	1	2	3	4	5	6
12 W	12 W	250 mA	-	-	-	-	-	-
14 W	14 W	300 mA	-	-	-	-	-	ON
15 W	17 W	350 mA	-	-	-	-	ON	-
15 W	19 W	400 mA	-	-	-	-	ON	ON
15 W	21 W	450 mA	-	-	-	ON	-	-
15 W	24 W	500 mA	-	-	-	ON	ON	-
15 W	25 W	550 mA	-	-	-	ON	ON	-
15 W	28 W	600 mA	-	-	-	ON	ON	ON
15 W	30 W	650 mA	-	-	ON	-	-	-
15 W	32 W	700 mA	-	-	ON	-	ON	-
15 W	32 W	750 mA	-	-	ON	-	ON	-
15 W	32 W	800 mA	-	-	ON	-	ON	ON
15 W	32 W	850 mA	-	-	ON	ON	-	-
15 W	33 W	900 mA	-	-	ON	ON	ON	ON
11 W	11 W	12 V	-	ON	ON	ON	ON	ON
15 W	20 W	24 V	ON	-	ON	ON	ON	ON

Before use, always check dipswitch settings

SELV ON
 6
5
4
3
2
1
SELV

SEC insulated wire prep. 0,5 - 2,5 □
 6 - 7mm

176-264Vdc range x emerg. appl
 Thermal & short circuit protection

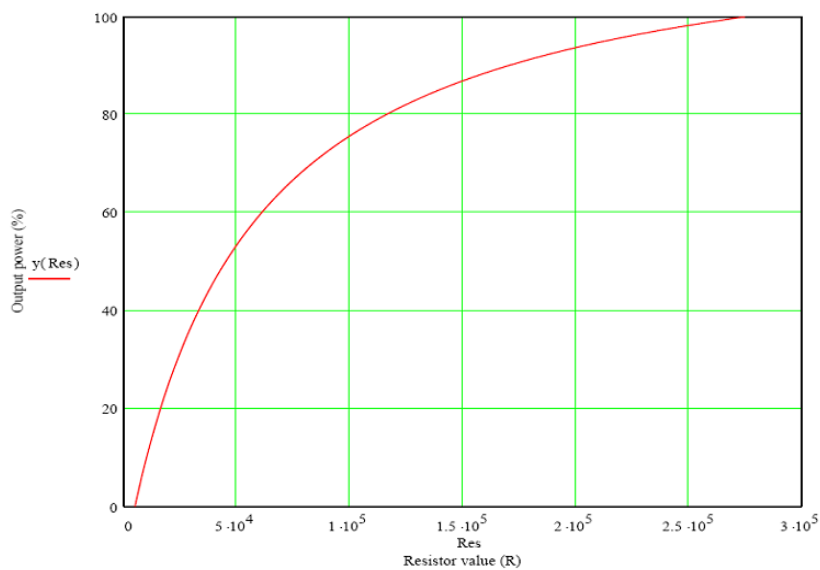
$t_c = 65^{\circ}C$
 25mm
 75mm
 12/15

PRI insulated wire prep. 0,2 - 1,5 □
 9 - 10mm

PRI L N

EMC 300MHz

Output power vs Iset resistor



ENTE EMITTENTE: DT Compilato _____ Visto _____