

# RPWM 2 CHANNELS

Direct current electronic drivers  
Alimentatori elettronici in corrente continua

Made in Italy 

constant VOLTAGE

RIPPLE FREE

100 M M SELV 60V

1.1

Single current drivers - Without PFC  
Alimentatori corrente singola - Senza PFC



1-2kV DIFF. 2kV COMM. COOKER HOOD SAFETY PROTECTIONS

**Rated Voltage**  
Tensione Nominale  
110 ÷ 127 V <sup>(2)</sup>  
220 ÷ 240 V

**Frequency**  
Frequenza  
50/60 Hz

**AC Operation range**  
Tensione di utilizzo AC  
100 ÷ 264 V

**DC Operation range**  
Tensione di utilizzo DC  
(see page info15)  
176 ÷ 264 V

**Power**  
Potenza  
0 ÷ 15 W  
(including both channels)

**Output current ripple**  
≤ 3% <sup>(1)</sup>

**Reference Norms**  
Norme di riferimento  
CSA C22.2 no. 250.13-14 <sup>(3)</sup>  
EN 50172 (VDE0108)  
EN 55015  
EN 60335-1  
EN 61000-3-2  
EN 61000-3-3  
EN 61347-1  
EN 61347-2-13  
EN 61547  
EN 62384  
UL 1310 <sup>(3)</sup>  
UL 8750 (Class 2) <sup>(3)</sup>  
VDE 0710 T14

**Max. pcs for CB B16A**  
(see page info17)  
27 pcs

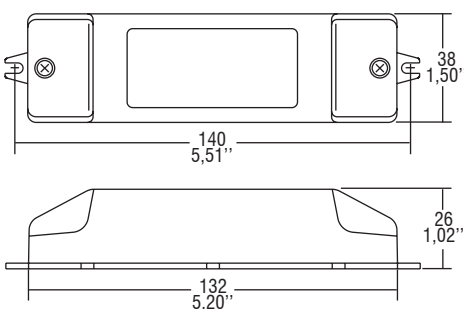
**In rush current**  
27A 250µsec

Article Articolo	Code Codice	P out W	V out DC <sup>(1)</sup>	I out DC	V out max.	ta °C	tc °C	I max. Power Factor	η max. Efficiency <sup>(1)</sup>
DC 10W 12V TW	122255	10 (10 <sup>(2)</sup> )	2 x 12 cost.	2 x 830 mA max.	-	-25...+50	75	0,60 C	-
DC 15W 700mA TW	122256	15 (10 <sup>(2)</sup> )	2 x 2...24	2 x 700 mA cost.	24	-25...+45	85	0,60 C	-

<sup>(1)</sup> Referred to V<sub>in</sub> = 230 V, 100% load - Riferito a V<sub>in</sub> = 230 V, carico 100%

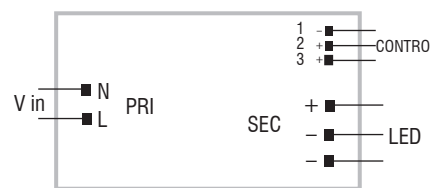
IP 20 SCREW FIXING Ø48 1.89"

Weight - Peso:  
gr. 110 / 4,07 oz.  
Pcs - Pezzi 30

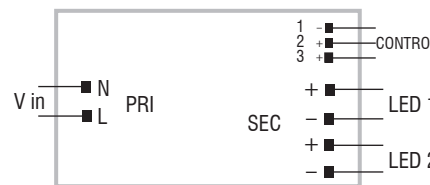


### Wiring diagram - Schema di collegamento

(Max. LED distance on page info8 - Massima distanza LED a pagina info8)



DC 10W 12V TW



DC 15W 700mA TW

### Features

- Double output impedance for use in household electrical appliances.
- Dimmable driver with 2 x PWM input at 200 Hz (eg. control from control board). 10/15W max. including both channels.
- IP20 independent driver, for indoor use.
- Class II protection against electric shock for direct or indirect contact.
- Current regulation ±5% including temperature variations.
- Supplied with terminal cover and cable retainer.
- Input and output terminal blocks on opposite sides (wire cross-section up to 2,5 mm<sup>2</sup> / AWG13).
- Single terminal block on primary and secondary circuits.
- Clamping screws on primary and secondary circuits for cables with diameter: min. 3 mm - max. 8 mm.
- Driver can be secured with slot for screws.
- Protections:
  - against overheating and short circuits;
  - against mains voltage spikes;
  - against overloads.

### Caratteristiche

- Doppia impedenza d'uscita per l'utilizzo in apparecchi elettrodomestici.
- Alimentatore regolabile con ingresso per segnale 2 x PWM a 200 Hz (es. comando da scheda di controllo). Massimo 10/15W inclusi entrambi i canali.
- Alimentatore indipendente IP20, per uso interno.
- Protetto in classe II contro le scosse elettriche per contatti diretti e indiretti.
- Corrente regolata ±5% incluse variazioni di temperatura.
- Fornito di coprimorsetto e serracavo.
- Morsetti di entrata e uscita contrapposti (sezione cavo fino a 2,5 mm<sup>2</sup> / AWG13).
- Singola morsettiera su primario e secondario.
- Serracavo su primario e secondario per cavi di diametro: min. 3 mm - max. 8 mm.
- Fissaggio dell'alimentatore tramite asole per viti.
- Protezioni:
  - termica e cortocircuito;
  - contro le extra-tensioni di rete;
  - contro i sovraccarichi.

7 YEARS WARRANTY 3% FAILURE RATE  
10 YEARS WARRANTY 5% FAILURE RATE  
PRODUCER'S LIABILITY TCI  
WARRANTY TO THE CUSTOMER ACCORDING TO THE CE MARKING REGULATIONS 2011