

INGRESSO

- Nominale: 110/240 Vac $-10/+10\%$ 50/60Hz. 220/240VDC.
- Morsettiera 1 x 0,2...1.5 mm².
- Corrente massima: 0,45A.
- Fattore di potenza λ : 0.95 @ Pout >25W
- Armoniche corrente assorbita: secondo EN 61000-3-2.
- Inrush current: 10A 200uS.

USCITA

- Isolamento SELV.
- Morsettiera 1 x 0,5...2.5 mm² per uscita LED.
- Connettore 6 poli con uscita LED e +12V aux.
- Selezione corrente e tensione di uscita tramite DIP switch (vedi tabella).
- Potenza massima e precisione di corrente 220/240VAC / VDC
45W @ 1050mA $\pm 6\%$ (2...44V)
52W @ 1200mA $\pm 5\%$ (2...44V)
55W @ 1400mA $\pm 5\%$ (2...39V)
55W @ 1600mA $\pm 5\%$ (2...35V)
55W @ 1750mA $\pm 5\%$ (2...30V)
55W @ 2100mA $\pm 5\%$ (2...26V)
55W @ 48V $\pm 10\%$ (ripple 5Vpp)
- Potenza massima e precisione di corrente 110/120VAC
40W @ 1050mA $\pm 6\%$ (2...40V)
40W @ 1200mA $\pm 5\%$ (2...33V)
40W @ 1400mA $\pm 5\%$ (2...29V)
40W @ 1600mA $\pm 5\%$ (2...25V)
40W @ 1750mA $\pm 5\%$ (2...23V)
40W @ 2100mA $\pm 5\%$ (2...19V)
40W @ 48V $\pm 10\%$ (ripple 5Vpp)
- Tensione in uscita massima: 55 VDC.
- Efficienza massimo carico: 90%. DIM 50%: 87%.
- Consumo senza carico: <1W.
- Uscita ausiliaria isolata 12V - 100mA max su connettore

PROTEZIONI

- All'ingresso, contro sovratensioni impulsive di rete (secondo EN 61547) fino a 3,5KV N-L , 4KV N-GND e 4KV L-GND.
- Protezione al corto circuito e al circuito aperto.
- Protezione al sovraccarico e di temperatura (C.5.a della EN 61347-1).

FILTRO ANTIDISTURBO EMI

- Secondo EN55015.

INPUT

- Nominal: 110/240 Vac $-10/+10\%$ 50/60Hz. 220/240VDC.
- Terminal block for up to 1 x 0,2...1.5 mm².
- Max Input Current: 0,45A.
- Power factor λ : 0.95 @ Pout >25W.
- Harmonic content of mains current: according to EN 61000-3-2.
- Inrush current: 10A 200uS.

OUTPUT

- SELV insulation on output.
- LED terminal block for up to 1 x 0,5...2.5 mm².
- 6 poles connector with LED output and +12V aux.
- Selection of current and voltage output through Dip switch (See table)
- Max output power and current precision 220/240VAC / VDC.
45W @ 1050mA $\pm 6\%$ (2...44V)
52W @ 1200mA $\pm 5\%$ (2...44V)
55W @ 1400mA $\pm 5\%$ (2...39V)
55W @ 1600mA $\pm 5\%$ (2...35V)
55W @ 1750mA $\pm 5\%$ (2...30V)
55W @ 2100mA $\pm 5\%$ (2...26V)
55W @ 48V $\pm 10\%$ (ripple 5Vpp)
- Max output power and current precision 110/120VAC.
40W @ 1050mA $\pm 6\%$ (2...40V)
40W @ 1200mA $\pm 5\%$ (2...33V)
40W @ 1400mA $\pm 5\%$ (2...29V)
40W @ 1600mA $\pm 5\%$ (2...25V)
40W @ 1750mA $\pm 5\%$ (2...23V)
40W @ 2100mA $\pm 5\%$ (2...19V)
40W @ 48V $\pm 10\%$ (ripple 5Vpp)
- Max. Output voltage: 55 VDC.
- Efficiency @full load: 90%. DIM 50%: 87%.
- No load consumption: <1W.
- 12V isolated auxiliary output - 100mA max on connector.

PROTECTIONS

- Against input overvoltages from mains (according to EN61547) up to 3,5KV N-L , 4KV N-GND e 4KV L-GND.
- Against short circuit and open circuit.
- Thermal and overload protection (C.5.a EN 61347-1).

EMI

- According to EN55015.

AMBIENTE

- Temp. ambiente: -25...50°C (45°C @ 2.1A).
- tc = 85 °C.
- tc life 50000H = 80°C.

SICUREZZA

- Hi-pot test: 3.75 kV, 100% per 2 sec.

NORMATIVE

- EN 61347-1 ; EN 61347-2-13 ; EN 61547 ; EN 55015 ; EN 61000-3-2 ; EN62384
 DIN VDE 0710 teil 14; EN60598-2-22 ; UL8750 (UL1310)
- KEMA KEUR / ENEC05 / UL / CCC.

DIMENSIONI

- L=110mm / B=76 mm / H = 30 mm.

AMBIENT

- Ambient temp.: -25....50 °C. (45°C @ 2.1A)
- tc = 85 °C.
- tc life 50000H = 80°C.

SAFETY

- Hi-pot test: 3.75 kV, 100% for 2 sec.

STANDARDS

- EN 61347-1 ; EN 61347-2-13 ; EN 61547 ; EN 55015 ; EN 61000-3-2 ; EN62384
 DIN VDE 0710 teil 14. EN60598-2-22 ; UL8750 (UL1310)
- KEMA KEUR / ENEC05 / UL / CCC.

DIMENSIONS

- L=110mm / B=76 mm / H = 30 mm.

TCI MADE IN ITALY
 via Parma 14, 21047 Saronno(VA) Italy
MP 55 HC BI 1050/1200/1400/
 cod. 122208 1600/1750/2100
 AC/DC P/S for LED
 LED控制装置
 PRI:110*-120*-127V~ 50/60Hz, I_{max}=0,45A
 220-240V~ 0/50/60Hz, I_{max}=0,29A, λ(P>27W)=0,98
 SEC:55W max; 1050...2100mA (C.C.); (V_{omax}=55V==)
 48V (C.V.); V_{aux}=12V==/100mA max;
 Ambient temperature=-25...45/50°C; tc=85°C
 170-280V== range for emerg. appl.; I_{max}=0,37A
 170-280V== 用于应急照明; I_{max}=0,37A

110V..127V	220V..240V	ta max.	SEC	S50					
				6	5	4	3	2	1
40 W	45 W	50 °C	1050 mA	-	-	-	-	-	-
40 W	52 W	50 °C	1200 mA	ON	-	-	-	-	-
40 W	55 W	50 °C	1400 mA	ON	ON	-	-	-	-
40 W	55 W	50 °C	1600 mA	ON	ON	ON	-	-	-
40 W	55 W	50 °C	1750 mA	ON	ON	ON	ON	-	-
40 W	55 W	45 °C	2100 mA	ON	ON	ON	ON	ON	-
40 W	55 W	50 °C	48 V	ON	ON	ON	ON	ON	ON

Before use, always check S50 dipswitch setting
 每次使用前请检查拨码开关 S50 的设定

Dimensions: tc 17mm, 70mm

SELV

SEC 0,5 - 2,5 AWG 26-14 AWG 6 - 7mm

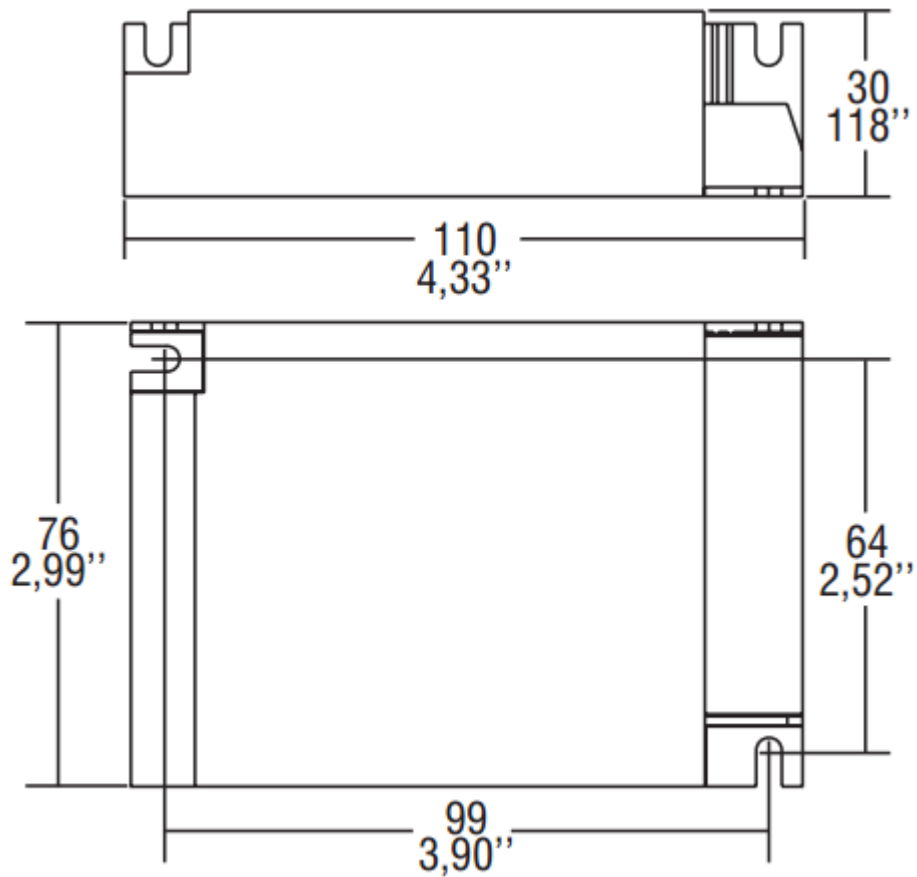
PRI 0,5 - 1,5 AWG 20-18 AWG 8 - 9mm

EMC 300MHz PATENTED IT0001396411

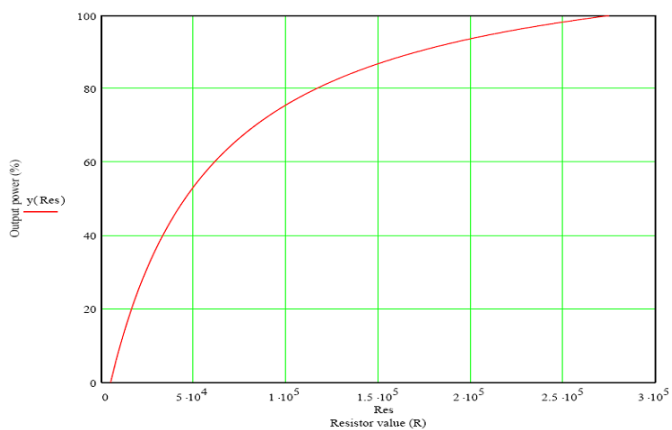
EN 05 KEMA KEUR CCC SAE

CE M M 110

ENTE EMITTENTE: DT Compilato _____ Visto _____



Output power vs Iset resistor



ENTE EMITTENTE: _____ Compilato: _____ Visto: _____