

Direct current electronic drivers Alimentatori elettronici in corrente continua

Made in Italy

1.1

Single current drivers - Without PFC
Alimentatori corrente singola - Senza PFC

constant CURRENT constant VOLTAGE

RIPPLE FREE



EN 05 KEMA EUR cUL[®] US (4) 100 M M EL SELV 60V

1=2kV DIFF. 2kV COMM. SAFETY PROTECTIONS

Rated Voltage Tensione Nominale

100 ÷ 240 V
100 ÷ 120 V⁽⁴⁾
110 ÷ 120 V⁽³⁾

Frequency Frequenza

50-60 Hz

AC Operation range Tensione di utilizzo AC

90 ÷ 264 V

DC Operation range Tensione di utilizzo DC

(see page info15)

176 ÷ 264 V

Power - Potenza

0 ÷ 14 W

iTHD

≥ 90%⁽¹⁾

Output current ripple

≤ 3%⁽¹⁾

Standards compliance

CSA C22.2 no. 223⁽⁴⁾

EN 50172 (VDE 0108)

EN 55015

EN 61000-3-2

EN 61000-3-3

EN 61347-1

EN 61347-2-13

EN 61547

EN 62384

UL 1310⁽⁴⁾

VDE 0710-T14

Max. pcs for CB B16A

(see page info17)

27 pcs

In rush current

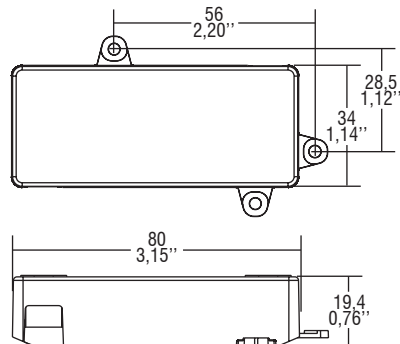
27A 250μsec

Article Articolo	Code Codice	P out W	V out DC ⁽¹⁾	I out DC	U out V	ta °C	tc °C	λ max. Power Factor	η max. Efficiency ⁽¹⁾
DC 14W 350mA AR	122038	14 (12 ⁽³⁾)	2...40	350 mA cost.	44	-25...+45	80	0,53 (0,61 ⁽⁴⁾) C	> 84
DC 12W 550mA AR	122039	12 (10 ⁽⁴⁾)	2...23	550 mA cost.	25	-25...+50	80	0,53 (0,61 ⁽⁴⁾) C	> 83

⁽¹⁾ Referred to V_m = 230 V, 100% load - Riferito a V_m = 230 V, carico 100%

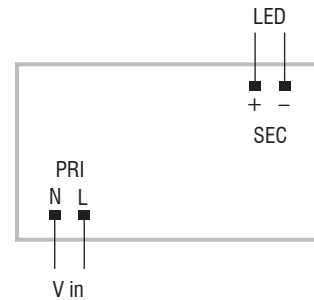
BUILT-IN SCREW FIXING

Weight - Peso gr. 45 / 1,6 oz.
Pcs - Pezzi 50



Wiring diagram - Schema di collegamento

(Max. LED distance on page info8 - Massima distanza LED a pagina info8)



Features

- Driver for built-in use.
- It can be used for lighting equipment in protection class I and II.
- Input and output terminal blocks on opposite sides (wire cross-section up to 2,5 mm² / AWG13).
- Single terminal block on primary and secondary circuit.
- Driver can be secured with slot for screws.
- Protections:
 - against overheating and short circuits;
 - against mains voltage spikes;
 - against overloads.

Caratteristiche

- Alimentatore da incorporare.
- Utilizzabile per apparecchi di illuminazione in classe di protezione I e II.
- Morsetti di entrata e uscita contrapposti (sezione cavo fino a 2,5 mm² / AWG13).
- Singola morsettiera su primario e secondario.
- Fissaggio dell'alimentatore tramite asole per viti.
- Protezioni:
 - termica e cortocircuito;
 - contro le extra-tensioni di rete;
 - contro i sovraccarichi.

7 YEARS WARRANTY 3% FAILURE RATE
10 YEARS WARRANTY 5% FAILURE RATE

PRODUCER'S LIABILITY
10 YEARS WARRANTY TO LEDS
ACCORDING TO TCI CERTIFICATION CONDITIONS