

Direct current electronic drivers
Alimentatori elettronici in corrente continua

Made in Italy 

constant CURRENT constant VOLTAGE

IS 15885 (Part 2 / Sec 13) S (5) R - 41049751

DAMP LOCATION

UL-CLASS2 (3) CSA-LVLE

EN 05

KEMA EUR

PS JET (4)

CCC

100

M M

EL

SELV 60V

RIPPLE FREE



1-2KV DIFF. 2KV COMM. SAFETY PROTECTIONS

Rated Voltage
Tensione Nominale

AC 100 ÷ 127 V (3)
AC 100 ÷ 240 V

Frequency
Frequenza

50-60 Hz

AC Operation range
Tensione di utilizzo AC

90 ÷ 264 V

DC Voltage
Tensione DC

(see page info15)
176 ÷ 280 V

Power
Potenza

0 ÷ 15 W

Output current ripple
≤ 3% (1)

Standards compliance

CSA C22.2 no. 223 (3)
EN 50172
EN 55015
EN 61000-3-2
EN 61000-3-3
EN 61347-1
EN 61347-2-13
EN 61547
EN 62384
UL 1310 (3)
UL 8750 (3)
VDE 0710-T14

Max. pcs for CB B16A
(see page info17)
27 pcs

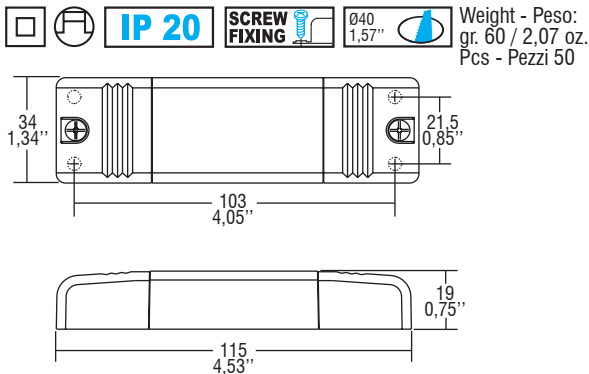
In rush current
27A 250µsec

Article Articolo	Code Codice	P out W	V out DC (1)	I out DC	U out V	ta °C	tc °C	λ max. Power Factor	η max. Efficiency (1)
DCC 10W 250mA/U S (2)(4)	122358	10	2...42	250 mA cost.	44	-25...+50	75	0,52 (0,60 ⁽³⁾) C	73
DCC 15W 350mA/U S (4)	122350	15 (10 ⁽³⁾)	2...41	350 mA cost.	44	-25...+45	75	0,54 (0,64 ⁽³⁾) C	77
DCC 12W 500mA/U S	122356	12 (10 ⁽³⁾)	2...24	500 mA cost.	26	-25...+50	80	0,54 (0,64 ⁽³⁾) C	73
DCC 12W 700mA/U S	122354	12 (10 ⁽³⁾)	2...16	700 mA cost.	18	-25...+45	75	0,54 (0,64 ⁽³⁾) C	73

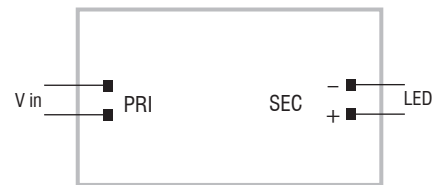
(1) Referred to V_{in} = 230 V, 100% load - Riferito a V_{in} = 230 V, carico 100%

(2) Without UL - Senza UL

(3) 122358BIS - 122350BIS - 122356BIS - 122354BIS:
order codes for BIS marked products - codici di ordine per i prodotti marchiati BIS



Wiring diagram - Schema di collegamento
(Max. LED distance on page info8 - Massima distanza LED a pagina info8)



Features

- IP20 independent driver, for indoor use.
- Class II protection against electric shock for direct or indirect contact.
- Supplied with terminal cover and cable retainer.
- Input and output terminal blocks on opposite sides (wire cross-section up to 2,5 mm² / AWG13).
- Single terminal block on primary and secondary circuit.
- Clamping screws on primary and secondary circuits for cables with diameter: min. 3 mm - max. 8 mm.
- Driver can be secured with slot for screws.
- Protections:
 - against overheating and short circuits;
 - against mains voltage spikes;
 - against overloads.

Caratteristiche

- Alimentatore indipendente IP20, per uso interno.
- Protetto in classe II contro le scosse elettriche per contatti diretti e indiretti.
- Fornito di coprimorsetto e serracavo.
- Morsetti di entrata e uscita contrapposti (sezione cavo fino a 2,5 mm² / AWG13).
- Singola morsettiera su primario e secondario.
- Serracavo su primario e secondario per cavi di diametro: min. 3 mm - max. 8 mm.
- Fissaggio dell'alimentatore tramite asole per viti.
- Protezioni:
 - termica e cortocircuito;
 - contro le extra-tensioni di rete;
 - contro i sovraccarichi.

7 YEARS WARRANTY 3% FAILURE RATE
10 YEARS WARRANTY 5% FAILURE RATE

PRODUCER'S LIABILITY
10 YEARS WARRANTY TO LED MANUFACTURERS ACCORDING TO THE CONTRACTOR'S CONDITIONS

1.1
Single current drivers - Without PFC
Alimentatori corrente singola - Senza PFC