

Direct current electronic drivers  
Alimentatori elettronici in corrente continua

Made in Italy 

constant CURRENT constant VOLTAGE

IS 15885 (Part 2 / Sec 13) S (5) R - 41049751

DAMP LOCATION

UL-CLASS2 (3) C RA US CSA-LVLE

EN 05

KEMA EUR

PS JET (4)

CCC

100

M M

EL

SELV 60V

RIPPLE FREE



1-2KV DIFF. 2KV COMM. SAFETY PROTECTIONS

**Rated Voltage**  
Tensione Nominale  
AC 100 ÷ 127 V (3)  
AC 100 ÷ 240 V

**Frequency**  
Frequenza  
50-60 Hz

**AC Operation range**  
Tensione di utilizzo AC  
90 ÷ 264 V

**DC Voltage**  
Tensione DC  
(see page info15)  
176 ÷ 280 V

**Power**  
Potenza  
0 ÷ 15 W

**Output current ripple**  
≤ 3% (1)

**Standards compliance**  
CSA C22.2 no. 223 (3)  
EN 50172  
EN 55015  
EN 61000-3-2  
EN 61000-3-3  
EN 61347-1  
EN 61347-2-13  
EN 61547  
EN 62384  
UL 1310 (3)  
UL 8750 (3)  
VDE 0710-T14

**Max. pcs for CB B16A**  
(see page info17)  
27 pcs

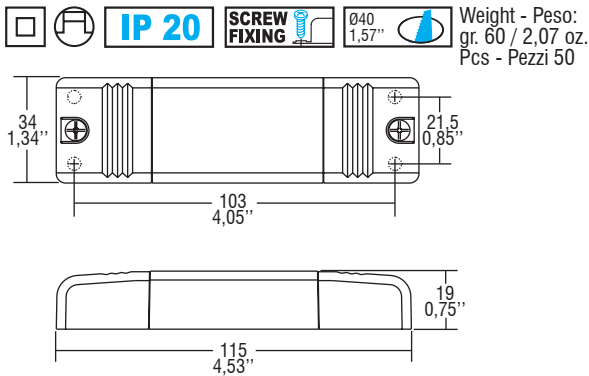
**In rush current**  
27A 250µsec

Article Articolo	Code Codice	P out W	V out DC (1)	I out DC	U out V	ta °C	tc °C	λ max. Power Factor	η max. Efficiency (1)
<b>DCC 10W 250mA/U S</b> (2)(4)	122358	10	2...42	250 mA cost.	44	-25...+50	75	0,52 (0,60 <sup>(3)</sup> ) C	73
<b>DCC 15W 350mA/U S</b> (4)	122350	15 (10 <sup>(3)</sup> )	2...41	350 mA cost.	44	-25...+45	75	0,54 (0,64 <sup>(3)</sup> ) C	77
<b>DCC 12W 500mA/U S</b>	122356	12 (10 <sup>(3)</sup> )	2...24	500 mA cost.	26	-25...+50	80	0,54 (0,64 <sup>(3)</sup> ) C	73
<b>DCC 12W 700mA/U S</b>	122354	12 (10 <sup>(3)</sup> )	2...16	700 mA cost.	18	-25...+45	75	0,54 (0,64 <sup>(3)</sup> ) C	73

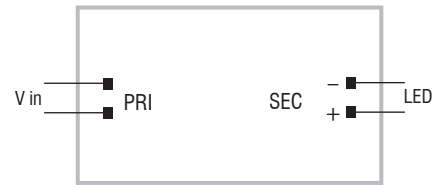
(1) Referred to V<sub>in</sub> = 230 V, 100% load - Riferito a V<sub>in</sub> = 230 V, carico 100%

(2) Without UL - Senza UL

(3) 122358BIS - 122350BIS - 122356BIS - 122354BIS:  
order codes for BIS marked products - codici di ordine per i prodotti marchiati BIS



**Wiring diagram - Schema di collegamento**  
(Max. LED distance on page info8 - Massima distanza LED a pagina info8)



**Features**

- IP20 independent driver, for indoor use.
- Class II protection against electric shock for direct or indirect contact.
- Supplied with terminal cover and cable retainer.
- Input and output terminal blocks on opposite sides (wire cross-section up to 2,5 mm<sup>2</sup> / AWG13).
- Single terminal block on primary and secondary circuit.
- Clamping screws on primary and secondary circuits for cables with diameter: min. 3 mm - max. 8 mm.
- Driver can be secured with slot for screws.
- Protections:
  - against overheating and short circuits;
  - against mains voltage spikes;
  - against overloads.

**Caratteristiche**

- Alimentatore indipendente IP20, per uso interno.
- Protetto in classe II contro le scosse elettriche per contatti diretti e indiretti.
- Fornito di coprimorsetto e serracavo.
- Morsetti di entrata e uscita contrapposti (sezione cavo fino a 2,5 mm<sup>2</sup> / AWG13).
- Singola morsettiera su primario e secondario.
- Serracavo su primario e secondario per cavi di diametro: min. 3 mm - max. 8 mm.
- Fissaggio dell'alimentatore tramite asole per viti.
- Protezioni:
  - termica e cortocircuito;
  - contro le extra-tensioni di rete;
  - contro i sovraccarichi.

7 YEARS WARRANTY 3% FAILURE RATE  
10 YEARS WARRANTY 5% FAILURE RATE  
PRODUCER'S LIABILITY  
10 YEARS WARRANTY TO LED MANUFACTURERS ACCORDING TO THE CONTRACTOR'S CONDITIONS

1.1  
Single current drivers - Without PFC  
Alimentatori corrente singola - Senza PFC