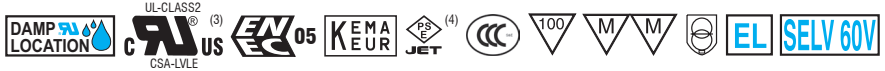


## Direct current electronic drivers Alimentatori elettronici in corrente continua

Made in Italy

constant CURRENT constant VOLTAGE



**RIPPLE FREE**



1-2kV DIFF. 2kV COMM. SAFETY PROTECTIONS

### Voltage Tensione

AC 100 ÷ 127 V<sup>(3)</sup>  
AC 100 ÷ 120 V<sup>(3)</sup>  
AC 100 ÷ 240 V

### Frequency Frequenza

50/60 Hz

### AC Operation range Tensione di utilizzo AC

90 ÷ 264 V

### DC Voltage Tensione DC

(see page info15)  
176 ÷ 280 V

### Power Potenza

0 ÷ 15 W

### Output current ripple

≤ 3%<sup>(1)</sup>

### Reference Norms Norme di riferimento

CSA C22.2 no. 223<sup>(3)</sup>  
EN 50172  
EN 55015  
EN 61000-3-2  
EN 61000-3-3  
EN 61347-1  
EN 61347-2-13  
EN 61547  
EN 62384  
UL 1310<sup>(3)</sup>  
UL 8750<sup>(3)</sup>  
VDE 0710-T14

### Max. pcs for CB B16A

(see page info17)  
27 pcs

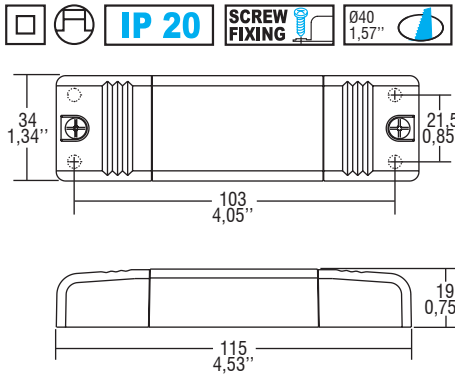
### In rush current

27A 250µsec

Article Articolo	Code Codice	P out W	V out DC <sup>(1)</sup>	I out DC	V out max.	ta °C	tc °C	λ max. Power Factor	η max. Efficiency <sup>(1)</sup>
<b>DCC 10W 250mA/U S</b> <sup>(2)(4)</sup>	122358	10	2...42	250 mA cost.	44	-25...+50	75	0,52 (0,60 <sup>(3)</sup> ) C	73
<b>DCC 15W 350mA/U S</b> <sup>(4)</sup>	122350	15 (10 <sup>(3)</sup> )	2...41	350 mA cost.	44	-25...+45	75	0,54 (0,64 <sup>(3)</sup> ) C	77
<b>DCC 12W 500mA/U S</b> <sup>(5)</sup>	122356	12 (10 <sup>(3)</sup> )	2...24	500 mA cost.	26	-25...+50	80	0,54 (0,64 <sup>(3)</sup> ) C	73
<b>DCC 12W 700mA/U S</b>	122354	12 (10 <sup>(3)</sup> )	2...16	700 mA cost.	18	-25...+45	75	0,54 (0,64 <sup>(3)</sup> ) C	73

<sup>(1)</sup> Referred to V<sub>in</sub> = 230 V, 100% load - Riferito a V<sub>in</sub> = 230 V, carico 100%

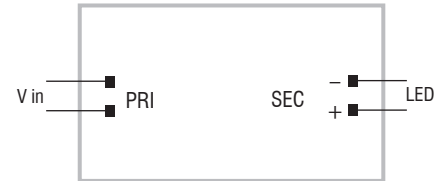
<sup>(2)</sup> Without UL - Senza UL



Weight - Peso:  
gr. 60 / 2,07 oz.  
Pcs - Pezzi 50

### Wiring diagram - Schema di collegamento

(Max. LED distance on page info8 - Massima distanza LED a pagina info8)



### Features

- IP20 independent driver, for indoor use.
- Class II protection against electric shock for direct or indirect contact.
- Supplied with terminal cover and cable retainer.
- Input and output terminal blocks on opposite sides (wire cross-section up to 2,5 mm<sup>2</sup> / AWG13).
- Single terminal block on primary and secondary circuit.
- Clamping screws on primary and secondary circuits for cables with diameter: min. 3 mm - max. 8 mm.
- Driver can be secured with slot for screws.
- Protections:
  - against overheating and short circuits;
  - against mains voltage spikes;
  - against overloads.

### Caratteristiche

- Alimentatore indipendente IP20, per uso interno.
- Protetto in classe II contro le scosse elettriche per contatti diretti e indiretti.
- Fornito di coprimorsetto e serracavo.
- Morsetti di entrata e uscita contrapposti (sezione cavo fino a 2,5 mm<sup>2</sup> / AWG13).
- Singola morsettiera su primario e secondario.
- Serracavo su primario e secondario per cavi di diametro: min. 3 mm - max. 8 mm.
- Fissaggio dell'alimentatore tramite asole per viti.
- Protezioni:
  - termica e cortocircuito;
  - contro le extra-tensioni di rete;
  - contro i sovraccarichi.

**7 YEARS WARRANTY**  
3% FAILURE RATE

**10 YEARS WARRANTY**  
5% FAILURE RATE

PRODUCER'S LIABILITY  
**TCI**

10 YEARS WARRANTY TO END USER  
ACCORDING TO THE CE MARKING REGULATIONS  
2011

1.1  
Single current drivers - Without PFC  
Alimentatori corrente singola - Senza PFC