

Direct current electronic drivers  
Alimentatori elettronici in corrente continua

Made in Italy 

constant CURRENT constant VOLTAGE



RIPPLE FREE



1-2kV DIFF. 2kV COMM. SAFETY PROTECTIONS

**Rated Voltage**  
Tensione Nominale  
100 ÷ 127 V <sup>(3)</sup>  
100 ÷ 240 V

**Frequency**  
Frequenza  
50/60 Hz

**AC Operation range**  
Tensione di utilizzo AC  
90 ÷ 264 V

**DC Operation range**  
Tensione di utilizzo DC  
(see page info15)  
176 ÷ 264 V

**Power**  
Potenza  
0 ÷ 8 W

**Output current ripple**  
≤ 3% <sup>(1)</sup>

**Reference Norms**  
Norme di riferimento

- CSA C22.2 no. 223 <sup>(3)</sup>
- EN 50172 (VDE 0108)
- EN 55015
- EN 61000-3-2
- EN 61000-3-3
- EN 61347-1
- EN 61347-2-13
- EN 61547
- UL 1310 <sup>(3)</sup>
- UL 8750 <sup>(3)</sup>
- VDE 0710-T14

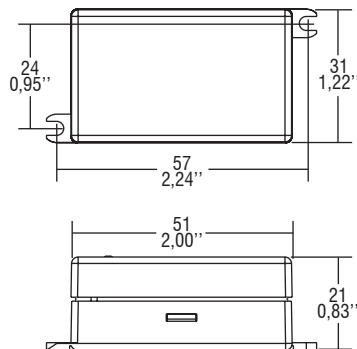
**Max. pcs for CB B16A**  
(see page info17)  
50 pcs

**In rush current**  
20A 170µsec

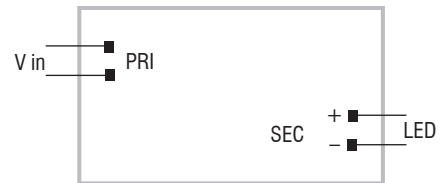
Article Articolo	Code Codice	P out W	V out DC	I out DC	V out max.	ta °C	tc °C	λ max. Power Factor	η max. Efficiency <sup>(1)</sup>
DC 8W 350mA STC/U <sup>(3)(4)</sup>	122633	6/8 <sup>(2)</sup>	2...23	350 mA cost.	25	-25...+50 <sup>(2)</sup> /55	75	0,6 C	77
DC 9W 350mA STC/U <sup>(4)(5)</sup>	122632	6/9 <sup>(2)</sup>	2...25,7	350 mA cost.	30	-25...+45 <sup>(2)</sup> /55	75	0,6 C	77
DC 6W 500mA STC/U <sup>(3)</sup>	122635	6	2...11,5	500 mA cost.	13	-25...+45	70	0,6 C	73

<sup>(1)</sup> Referred to V<sub>in</sub> = 230 V, 100% load - Riferito a V<sub>in</sub> = 230 V, carico 100%  
<sup>(5)</sup> UL Pending

**BUILT-IN SCREW FIXING** Weight - Peso: gr. 35 / 1,23 oz.  
Pcs - Pezzi 50



**Wiring diagram - Schema di collegamento**  
(Max. LED distance on page info8 - Massima distanza LED a pagina info8)



**Features**

- Driver for built-in use.
- Input and output terminal blocks on opposite sides.
- Single terminal at the primary and secondary circuit (wire cross-section up to 2,5 mm<sup>2</sup> / AWG13).
- It can be used for lighting equipment in protection class I and II.
- Current regulation -8 % + 5 % including temperature variations.
- Protections:
  - against overheating and short circuits;
  - against mains voltage spikes;
  - against overloads.

**Caratteristiche**

- Alimentatore da incorporare.
- Morsetti di entrata e uscita contrapposti.
- Singolo morsetto su primario e secondario (sezione cavo fino a 2,5 mm<sup>2</sup> / AWG13).
- Utilizzabile per apparecchi di illuminazione in classe di protezione I e II.
- Corrente regolata -8 % + 5 % incluse variazioni di temperatura.
- Protezioni:
  - termica e cortocircuito;
  - contro le extra-tensioni di rete;
  - contro i sovraccarichi.

7 YEARS WARRANTY 3% FAILURE RATE  
10 YEARS WARRANTY 5% FAILURE RATE

PRODUCER'S LIABILITY TCl  
POWERED WITH FLEECING RESPONSIBILITY TO THE ENVIRONMENT ACCORDING TO THE EUROPEAN COMMISSION 2014

1.1  
Single current drivers - Without PFC  
Alimentatori corrente singola - Senza PFC