

# US 36/47/54 FIXED CURRENT

Direct current electronic drivers  
Alimentatori elettronici in corrente continua

Made in Italy 

constant  
**CURRENT**



**RIPPLE  
FREE**

**277  
Vin**



**Rated Voltage**  
Tensione Nominale  
120 ÷ 277 V

**Frequency**  
Frequenza  
50/60 Hz

**AC Operation range**  
Tensione di utilizzo AC  
108 ÷ 305 V

**Power**  
Potenza  
20 ÷ 54 W


**Output current ripple**  
≤ 3% <sup>(1)</sup>

**Standards compliance**  
CSA C22.2 N.250.13-14  
UL 1310  
UL 8750  
NEMA 410

IEC 60068-2-6 Fc  
IEC 60068-2-27 Ea  
IEC 62386-101  
IEC 62386-102  
IEC 62386-207

**Max. pcs for CB B16A**  
(see page info17)  
24 pcs

**In rush current**  
18A 30μsec

Article Articolo	Code Codice	P out W	V out DC	tc °C	Case Involucro	Lateral windows Finestre laterali
					Metal Metallo	Without Senza
US 36/700mA	126154/700M	20...36	26...52	75	✓	
US 47/900mA	126154/900M	20...47	26...52			
US 54/1050mA	126154/1050M	20...54	26...51			
US 54/1200mA	126154/1200M	20...54	26...45			
US 54/1400mA	126154/1400M	20...54	26...39			

V out max.	60 V
ta	-20...+55 °C
λ Power Factor <sup>(1)</sup>	0,98
η max. Efficiency <sup>(1)</sup>	88%

<sup>(1)</sup> Referred to V<sub>in</sub> = 120V/60Hz, 100% load  
Riferito a V<sub>in</sub> = 120V/60Hz, carico 100%

## Features

- Available only with metal case; provided with metal stud and wings.
- Comply with FCC (47, part 15) class A (277 Vin) and class B (120 Vin).
- Suitable for Dry and Damp location (UL).
- Push-in terminal blocks. Solid and stranded wires, AWG 18...22.
- Protections against: hot wire insertion, temperature, overload, short circuits, open load, reverse polarity of LED, over voltage.

## Caratteristiche

- Disponibile solo con contenitore di metallo; fornito con fissaggio di metallo e fissaggi laterali.
- Compatibile con FCC (47, part 15) class A (277 Vin) e class B (120 Vin).
- Utilizzabile in ambienti secchi e con condensa (UL).
- Morsetti push-in. Cavo rigido e multifilare, AWG 18...22.
- Protetto contro: inserimento a caldo, temperatura, sovraccarico, cortocircuito, circuito aperto, scambio polarità del LED, sovratensione.

277 V input voltage drivers - Compact case switchable  
Alimentatori per rete 277 V - Formato compatto non regolabili

9.1

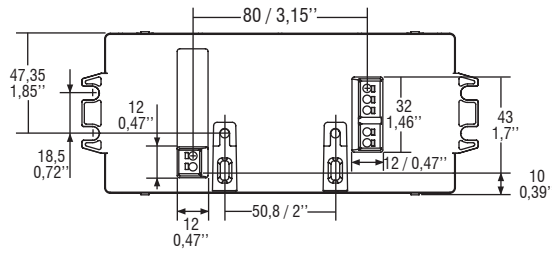
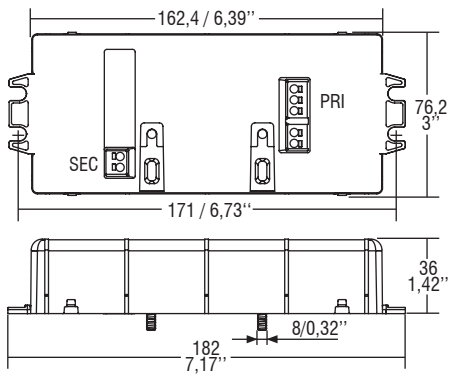


# US 36/47/54 FIXED CURRENT

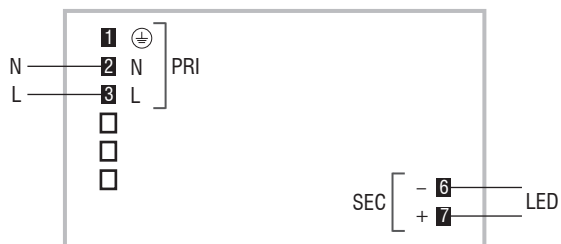
Direct current electronic drivers  
Alimentatori elettronici in corrente continua

Made in Italy

**BUILT-IN** **SCREW FIXING** Weight - Peso gr. - / - oz.  
Pcs - Pezzi 1



**Wiring diagram - Schema di collegamento** (Max. LED distance on page info8 - Massima distanza LED a pagina info8)



277 V input voltage drivers - Compact case switchable  
Alimentatori per rete 277 V - Formato compatto non regolabili

9.1