

US 18/26/30 FIXED CURRENT

Direct current electronic drivers
Alimentatori elettronici con uscita stabilizzata in corrente

Made in Italy 

constant
CURRENT



**RIPPLE
FREE**

**277
Vin**



US



US LM



Rated Voltage
Tensione Nominale
120 ÷ 277 V

Frequency
Frequenza
50/60 Hz

AC Operation range
Tensione di utilizzo AC
108 ÷ 305 V

Power
Potenza
10 ÷ 30 W




Output current ripple
≤ 3% ⁽¹⁾

Standards compliance
CSA C22.2 N.250.13-14
UL 1310
UL 8750
NEMA 410

IEC 60068-2-6 Fc
IEC 60068-2-27 Ea
IEC 62386-101
IEC 62386-102
IEC 62386-207

Max. pcs for CB B16A
(see page info17)
57 pcs

In rush current
10A 30μsec

| Article Articolo | Code Codice | P out W | V out DC | tc °C | Case Involucro | | Lateral windows Finestre laterali | |
|---------------------|----------------|------------|-------------|----------|---------------------|------------------|--|---|
| | | | | | Plastic Plastica | Metal Metallo | Without Senza | With Con |
| US 18/350mA | 126152/350 | 10...18 | 26...52 | 80 | ✓ | |  | |
| US 26/500mA | 126152/500 | 10...26 | 26...52 | | | | | |
| US 30/700mA | 126152/700 | 10...30 | 26...43 | | | | | |
| US 18/350mA L | 126152/350L | 10...18 | 26...52 | 80 | ✓ | | |  |
| US 26/500mA L | 126152/500L | 10...26 | 26...52 | | | | | |
| US 30/700mA L | 126152/700L | 10...30 | 26...43 | | | | | |
| US 18/350mA M | 126152/350M | 10...18 | 26...52 | 75 | | ✓ |  | |
| US 26/500mA M | 126152/500M | 10...26 | 26...52 | | | | | |
| US 30/700mA M | 126152/700M | 10...30 | 26...43 | | | | | |

| | |
|----------------------------------|---------|
| V out max. | 60 V |
| ta | 126152 |
| | 126152L |
| ta | 126152M |
| λ Power Factor ⁽¹⁾ | > 0,98 |
| η max. Efficiency ⁽¹⁾ | > 87% |

⁽¹⁾ Referred to V_{in} = 120V/60Hz, 100% load
Riferito a V_{in} = 120V/60Hz, carico 100%

Features

- Available with or without metal case; provided with metal stud and wings.
- Comply with FCC (47, part 15) class A (277 Vin) and class B (120 Vin).
- Suitable for Dry and Damp location (UL).
- Push-in terminal blocks. Solid and stranded wires, AWG 18...22.
- Protections against: hot wire insertion, temperature, overload, short circuits, open load, reverse polarity of LED, over voltage.

Caratteristiche

- Disponibile con o senza contenitore di metallo; fornito con fissaggio di metallo e fissaggi laterali.
- Compatibile con FCC (47, part 15) class A (277 Vin) e class B (120 Vin).
- Utilizzabile in ambienti secchi e con condensa (UL).
- Morsetti push-in. Cavo rigido e multifilare, AWG 18...22.
- Protetto contro: inserimento a caldo, temperatura, sovraccarico, cortocircuito, circuito aperto, scambio polarità del LED, sovratensione.



277 V input voltage drivers - Compact case switchable
Alimentatori per rete 277 V - Formato compatto non regolabili

9.1

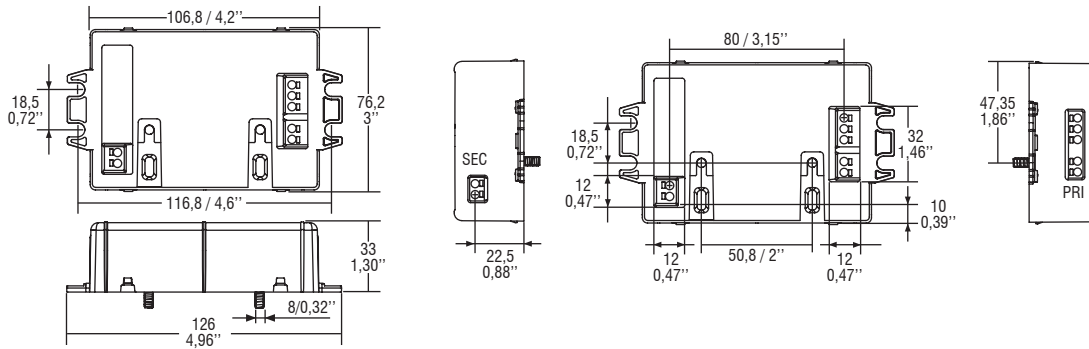
US 18/26/30 FIXED CURRENT

Direct current electronic drivers

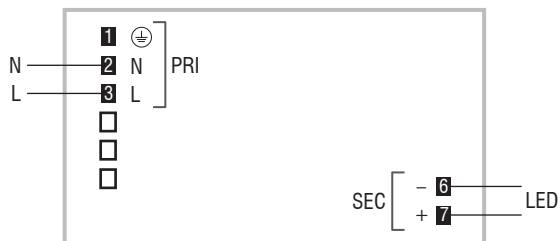
Alimentatori elettronici con uscita stabilizzata in corrente

Made in Italy

BUILT-IN **SCREW FIXING** Weight - Peso gr. - / - oz.
Pcs - Pezzi 1



Wiring diagram - Schema di collegamento (Max. LED distance on page info8 - Massima distanza LED a pagina info8)



277 V input voltage drivers - Compact case switchable
Alimentatori per rete 277 V - Formato compatto non regolabili

9.1