

LED spots

Made in Italy

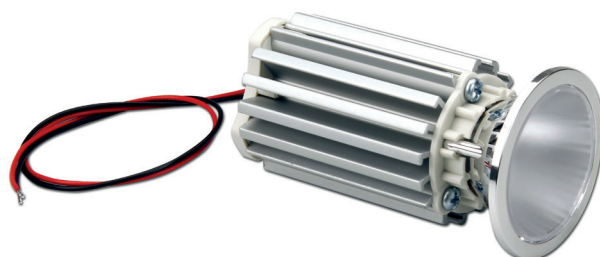
EN 15

constant CURRENT

UP TO 156 lm/W

L80 B20

>150.000 h @ Tc=80 °C



CRI

>90

Rated Current

Corrente Nominale

250 mA

300 mA

350 mA

Power

Potenza

8,5 W

10,4 W

12,3 W

Available (CCT)

colour temperature

3000 K

4000 K

2700 K on request - su richiesta

5000 K on request - su richiesta

5700 K on request - su richiesta

6500 K on request - su richiesta

Beam angle

20°

35°

55°

Ambient temperature

Ta: -20...+45 °C

(Only for Tc ≤90°C)

Module temperature

Tc max: 90 °C

Reference Norms

Norme di riferimento:

EN 55015

EN 61347-1

EN 61547

EN 62031

EN 62471

Article Articolò	Code Codice	Temp. Color Colore	Typ Current (I typ) mA	Flux Im ⁽¹⁾ (I typ 25°C) tc	Flux Im ⁽¹⁾ (I typ 80°C) tc	V	Power W	Efficacy Tc 25°C lm/W	Efficacy Tc 80°C lm/W	ta °C	tc °C	CRI	Beam angle	
LED SPOT 1000 GEN2	128416/930/20	3000K	250	1253	1138	34,3	8,5	147	134	-20...+45	90	>90	20°	
			300	1472	1337	34,7	10,4	142	129	-20...+45				
			350	1682	1527	35,2	12,3	137	124	-20...+35				
	128416/930/35	3000K	3000K	250	1253	1138	34,3	8,5	147	134	-20...+45	90	>90	35°
				300	1472	1337	34,7	10,4	142	129	-20...+45			
				350	1682	1527	35,2	12,3	137	124	-20...+35			
	128416/930/55	3000K	3000K	250	1253	1138	34,3	8,5	147	134	-20...+45	90	>90	55°
				300	1472	1337	34,7	10,4	142	129	-20...+45			
				350	1682	1527	35,2	12,3	137	124	-20...+35			
	128416/940/20	4000K	4000K	250	1324	1203	34,3	8,5	156	142	-20...+45	90	>90	20°
				300	1556	1413	34,7	10,4	149	136	-20...+45			
				350	1778	1614	35,2	12,3	145	131	-20...+35			
	128416/940/35	4000K	4000K	250	1324	1203	34,3	8,5	156	142	-20...+45	90	>90	35°
				300	1556	1413	34,7	10,4	149	136	-20...+45			
				350	1778	1614	35,2	12,3	145	131	-20...+35			
	128416/940/55	4000K	4000K	250	1324	1203	34,3	8,5	156	142	-20...+45	90	>90	55°
				300	1556	1413	34,7	10,4	149	136	-20...+45			
				350	1778	1614	35,2	12,3	145	131	-20...+35			

⁽¹⁾ The mentioned data can have a 10% tolerance - Il dato indicato può avere una tolleranza del 10%.

Main features

- LED SPOT for built-in use.
- Polycarbonate spotlight 50mm diameter.
- PMMA diffusing or transparent lens to cover the spotlight.
- Minimum colour tolerance: 3MacAdam (3SDCM).
- Perfect light uniformity.
- Anodized aluminium heat sink.
- Provided with power wires and tear-proof cable clamps.
- Emitting angle: 20°/35°/55°
- High efficiency of the system in combination with TCI drivers.
- The use is guaranteed in combination with TCI drivers only.

Caratteristiche principali

- SPOT LED da incorporare.
- Riflettore in policarbonato Diametro 50 mm.
- Lente diffondente o trasparente in PMMA a copertura del riflettore.
- Minima tolleranza di colore: 3MacAdam (3SDCM).
- Perfetta uniformità di luce.
- Dissipatore in alluminio anodizzato.
- Provvisto di cavi di alimentazione e fissacavo antistrappo.
- Angolo di emissione: 20°/35°/55°
- Alta efficienza del sistema in combinazione con driver TCI.
- L'utilizzo è garantito in combinazione con driver TCI.

7 YEARS WARRANTY
3% FAILURE RATE

10 YEARS WARRANTY
5% FAILURE RATE

PRODUCER'S LIABILITY
TCI

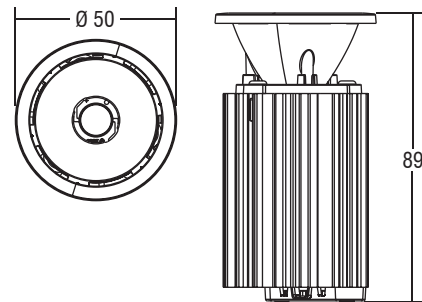
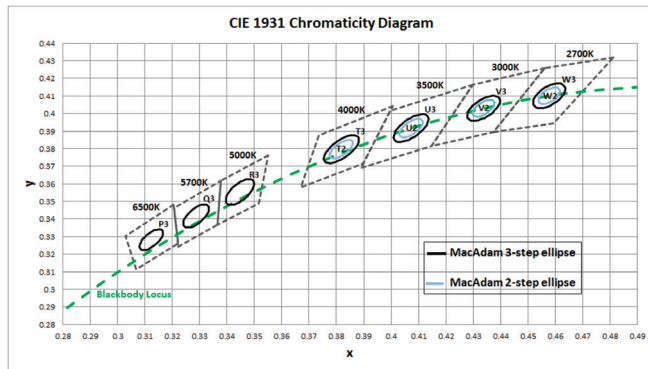
WARRANTY TO 10 YEARS
ACCORDING TO CEI CERTIFICATED CONDITIONS

LED spots

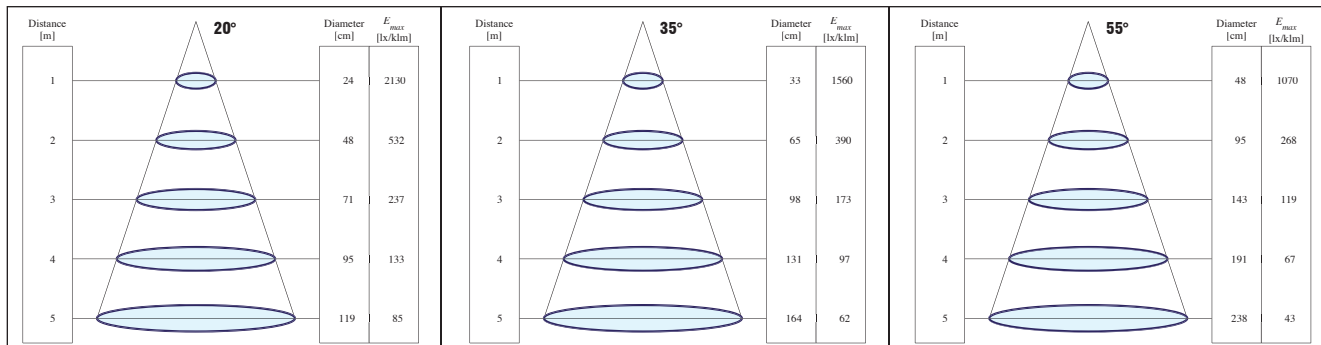
Technical features - Caratteristiche tecniche

Chromaticity region & Coordinates ($I_f=360\text{ mA}$, $T_j=85\text{ °C}$)

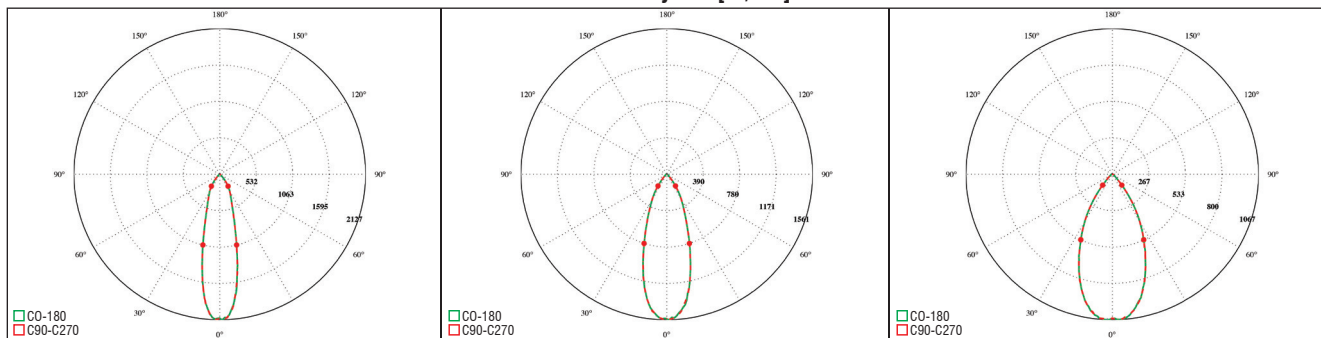
LED SPOT 1000 (Weight/Peso 4,58 oz. / gr. 130 - Pcs/Pezzi 1)



Illuminance Diagram [Lx/klm]



Polar Intensity Plot [cd/klm]



I dati indicati sono stati rilevati a CCT 4000K CRI>90 @350mA, Tc=80°C

LED driver choice table - Tabella di scelta driver

Article	Current	Power	Standard Driver		Standard Driver PFC>0,9		Dimmable 1-10V & PUSH		Dimmable DALI	
			Article	Code	Article	Code	Article	Code	Article	Code
LED SPOT 1000	250	8,7	MP 15	122360	UNIVERSALE 20	122201	MINIJOLLY LC	123401-151401	MINIJOLLY DALI	125403-151403
			DCC 10W 250mA US	122358	UNIVERSALE LC	122203				
	300	10,6	MP 15	122360	UNIVERSALE LC	122203	MINIJOLLY LC	123401-151401	-	-
			DCC 15W 350mA US	122350	UNIVERSALE 20	122201	MINIJOLLY	125400-151400	MINIJOLLY DALI	125403-151403
350	12,5	MP 15	122360	UNIVERSALE LC	122203	MINIJOLLY LC	123401-151401			

Article	Code	Rated Voltage	P out W ⁽¹⁾	V out	dimension (mm)	Ø mm	Efficiency η (100%) ⁽¹⁾	ta °C	tc °C	Power Factor λ	Dimmable
DCC 10W 250mA	122358	110-240	10	43	115x34x19	40	73	-25+50	75	0,6 C	NO
DCC 15W 350mA	122350	110-240	15 (10)	43	115x34x19	40	77	-25+45	75	0,6 C	NO
MP 15	122360	100-240	15 (10)	41,5	115x34x19	40	82	-25+50	75	0,6 C	NO
UNIVERSALE 20	122201	220-240	20	57	110x52x22	55	>88	-25+50	80	0,95	NO
UNIVERSALE 20 LC	122203	220-240	20	55	110x52x22	55	>87	-25+50	75	0,95	NO
MINIJOLLY	125400-151400	110-240	20	43	110x52x22	55	>87	-25+50	80	0,95	1...10V - PUSH
MINIJOLLY LC	123401-151401	110-240	20	43	110x52x22	55	>87	-25+45	75	0,95	1...10V - PUSH
MINIJOLLY DALI	125403-151403	110-240	20	43	110x52x22	55	>87	-25+45	75	0,95	DALI

⁽¹⁾ Referred to $V_{in} = 230\text{ V}$, 100% load - Riferito a $V_{in} = 230\text{ V}$, carico 100%

For additional technical informations please visit our website: www.tci.it