

Direct current electronic drivers
Alimentatori elettronici in corrente continua

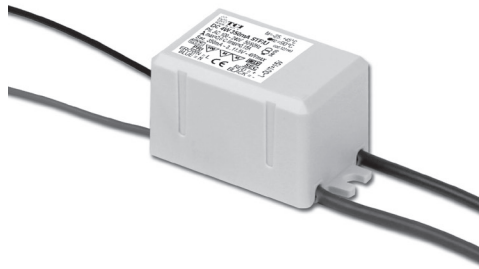
Made in Italy 

1.1

Single current drivers - Without PFC
Alimentatori corrente singola - Senza PFC

constant
CURRENT

RIPPLE
FREE



1=2kV DIFF. 2kV COMM. SAFETY PROTECTIONS

Rated Voltage
Tensione Nominale
100 ÷ 240 V

Frequency
Frequenza
50/60 Hz

AC Operation range
Tensione di utilizzo AC
90 ÷ 264 V

DC Operation range
Tensione di utilizzo DC
(see page info15)
176 ÷ 264 V

Power
Potenza
0 ÷ 4 W

Output current ripple
≤ 3% ⁽¹⁾

Reference Norms
Norme di riferimento
EN 50172 (VDE 0108)
EN 55015
EN 61000-3-2
EN 61000-3-3
EN 61347-1
EN 61347-2-13
EN 61547
VDE 0710-T14

Max. pcs for CB B16A
(see page info17)
50 pcs

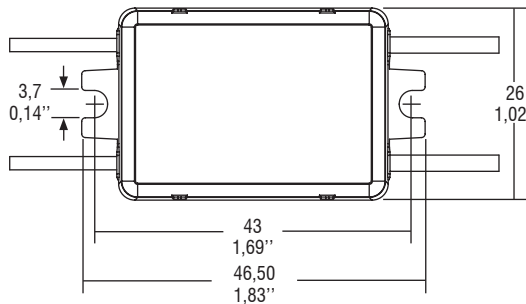
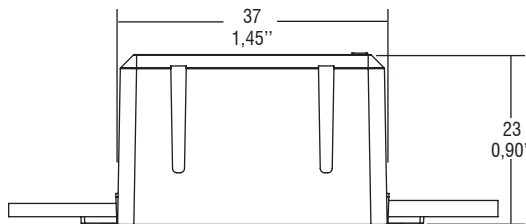
In rush current
20A 170μsec

Article Articolo	Code Codice	P out W	V out DC	I out DC	V out max.	ta °C	tc °C	λ max. Power Factor	η max. Efficiency ⁽¹⁾
DC 3W 250mA STF/U	122142	3	3...11,5	250 mA cost.	15	-25...+45	80	0,6 C	70
DC 4W 350mA STF/U	122140	4	3...11,5	350 mA cost.	15	-25...+45	80	0,6 C	70

⁽¹⁾ Referred to V_{in} = 230 V, 100% load - Riferito a V_{in} = 230 V, carico 100%

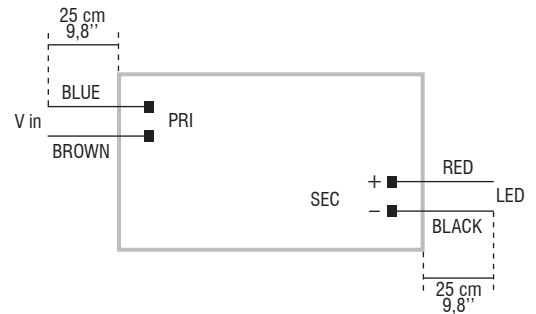
BUILT-IN SCREW FIXING

Weight - Peso: gr. 35 / 1,23 oz.
Pcs - Pezzi 50



Wiring diagram - Schema di collegamento

(Max. LED distance on page info8 - Massima distanza LED a pagina info8)



Features

- Driver for built-in use.
- It can be used for lighting equipment in protection class I and II.
- Supplied with cables on primary and secondary circuits for connection.
- Current regulation ± 8 % including temperature variations.
- Protections:
 - against overheating and short circuits;
 - against mains voltage spikes;
 - against overloads.

Caratteristiche

- Alimentatore da incorporare.
- Utilizzabile per apparecchi di illuminazione in classe di protezione I e II.
- Fornito di cavi sul primario e secondario per il collegamento.
- Corrente regolata ± 8 % incluse variazioni di temperatura.
- Protezioni:
 - termica e cortocircuito;
 - contro le extra-tensioni di rete;
 - contro i sovraccarichi.

7 YEARS WARRANTY 3% FAILURE RATE
10 YEARS WARRANTY 5% FAILURE RATE

PRODUCER'S LIABILITY
10 YEARS WARRANTY FOR LEDS
ACCORDING TO THE EUROPEAN CONDITIONS 2017