

Direct current electronic drivers Alimentatori elettronici in corrente continua

Made in Italy

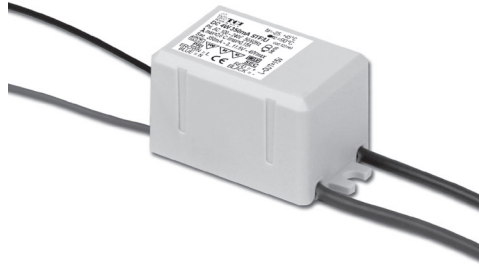
1.1

Single current drivers - Without PFC - Not dimmable
Alimentatori corrente singola - Senza PFC - Non regolabili

constant
CURRENT

RIPPLE FREE

Pst LM ≤ 1
SVM $\leq 0,4$



EAC EN EC 05

1-2kV DIFF. 2kV COMM.

Rated Voltage
Tensione Nominale
100 ÷ 240 V

Frequency
Frequenza
50-60 Hz

AC Operation range
Tensione di utilizzo AC
90 ÷ 264 V

Power - Potenza
0 ÷ 4 W

iTHD
 $\geq 90\%$ ⁽¹⁾

Output current ripple
 $\leq 3\%$ ⁽¹⁾

Standards compliance
EN 55015
EN 61000-3-2
EN 61000-3-3
EN 61347-1
EN 61347-2-13
EN 61547
VDE 0710-T14

Max. pcs for CB B16A
(see page info17)
50 pcs

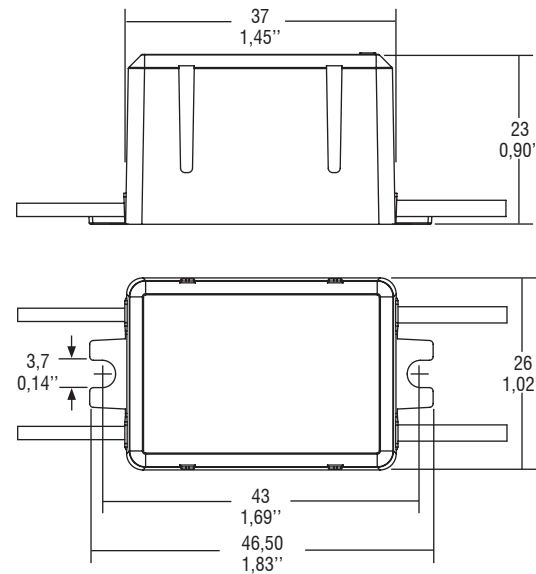
In rush current
20A 170 μ sec

| Article Articolo | Code Codice | P out W | V out DC ⁽¹⁾ | I out DC | U out V | ta °C | tc °C | λ max. Power Factor | η max. Efficiency ⁽¹⁾ |
|---------------------|----------------|------------|----------------------------|--------------|------------|-----------|----------|-----------------------------------|--|
| DC 3W 250mA STF/U | 122142 | 3 | 3...11,5 | 250 mA cost. | 15 | -25...+45 | 80 | 0,6 C | 70 % |
| DC 4W 350mA STF/U | 122140 | 4 | 3...11,5 | 350 mA cost. | 15 | -25...+45 | 80 | 0,6 C | 70 % |
| DC 3W 700mA STF/U | 122144 | 3 | 3...4,5 | 700 mA cost. | 6 | -25...+40 | 80 | 0,6 C | 70 % |

⁽¹⁾ Referred to $V_m = 230$ V, 100% load - Riferito a $V_m = 230$ V, carico 100%

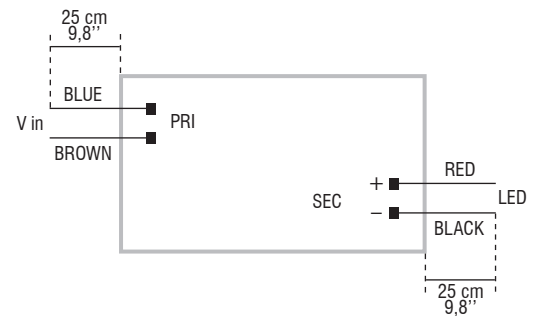
BUILT-IN

Weight - Peso: gr. 29 / 1 oz.
Pcs - Pezzi 50



Wiring diagram - Schema di collegamento

(Max. LED distance on page info8 - Massima distanza LED a pagina info8)



Features

- Driver for built-in use.
- It can be used for lighting equipment in protection class I and II.
- Supplied with cables on primary and secondary circuits for connection.
- Current regulation $\pm 8\%$ including temperature variations.
- Protections:
 - against overheating and short circuits;
 - against mains voltage spikes;
 - against overloads.

Caratteristiche

- Alimentatore da incorporare.
- Utilizzabile per apparecchi di illuminazione in classe di protezione I e II.
- Fornito di cavi sul primario e secondario per il collegamento.
- Corrente regolata $\pm 8\%$ incluse variazioni di temperatura.
- Protezioni:
 - termica e cortocircuito;
 - contro le extra-tensioni di rete;
 - contro i sovraccarichi.

7 YEARS WARRANTY
3% FAILURE RATE

10 YEARS WARRANTY
5% FAILURE RATE

PRODUCER'S LIABILITY
10 YEARS WARRANTY
ACCORDING TO THE EUROPEAN CONDITIONS