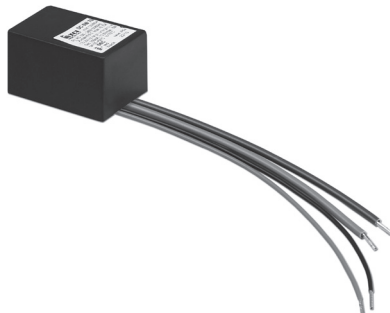


constant CURRENT constant VOLTAGE

EN 05⁽³⁾ KEMA EUR 100 M M SELV 60V

RIPPLE FREE



1-2kV DIFF. 2kV COMM. SAFETY PROTECTIONS

Rated Voltage
Tensione Nominale
100 ÷ 240 V

Frequency
Frequenza
50-60 Hz

AC Operation range
Tensione di utilizzo AC
90 ÷ 264 V

DC Operation range
Tensione di utilizzo DC
(see page info15)
176 ÷ 264 V

Power
Potenza
0 ÷ 8 W

Output current ripple
≤ 3% ⁽¹⁾

Standards compliance

CSA C22.2 no. 223 ⁽³⁾
EN 50172 (VDE 0108)
EN 55015
EN 61000-3-2
EN 61000-3-3
EN 61347-1
EN 61347-2-13
EN 61547
UL 1310 ⁽³⁾
UL 8750 ⁽³⁾
VDE 0710-T14

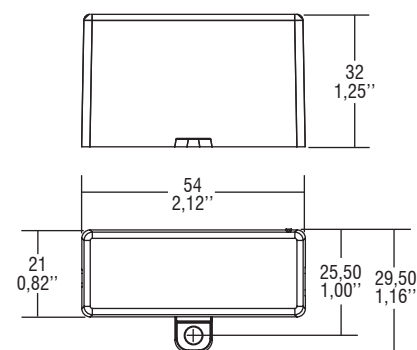
Max. pcs for CB B16A
(see page info17)
50 pcs

In rush current
20A 170µsec

Article Articolo	Code Codice	P out W	V out DC	I out DC	U out V	ta °C	tc °C	λ max. Power Factor	η max. Efficiency ⁽¹⁾
Constant current/voltage output - Uscita in corrente/tensione costante									
DC 8W 350mA STCP/U ⁽³⁾	122806	6/8 ⁽²⁾	2...23	350 mA cost.	25	-25...+50 ⁽²⁾ /55	75	0,6 C	77
DC 6W 500mA STCP/U	122807	6	2...11,5	500 mA cost.	13	-25...+45	70	0,6 C	73

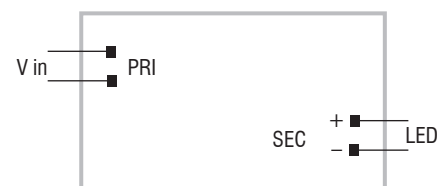
⁽¹⁾ Referred to $V_{in} = 230 V$, 100% load - Riferito a $V_{in} = 230 V$, carico 100%

CASE **IP 54** Weight - Peso gr. 65 / 2,29 oz.
Pcs - Pezzi 100



Wiring diagram - Schema di collegamento

(Max. LED distance at page info8 - Massima distanza LED a pagina info8)



Features

- Driver with IP54 case, suitable for installation in humid environments or with water spray (ex. bathrooms).
- Class II protection against electric shock for direct or indirect contact.
- Input and output cables on the opposite sides.
- Ultra compact size.
- Protections:
 - against overheating and short circuits;
 - against mains voltage spikes;
 - against overloads.
- Current regulation -8 %...+5 % including temperature variations.

Caratteristiche

- Alimentatore con involucro IP54, adatto all'installazione in luoghi umidi o con spruzzi d'acqua (es. bagni).
- Protetto in classe II contro le scosse elettriche per contatti diretti e indiretti.
- Fornito di cavi di entrata e uscita contrapposti.
- Dimensioni molto ridotte e compatte.
- Protezioni:
 - termica e cortocircuito;
 - contro le extra-tensioni di rete;
 - contro i sovraccarichi.
- Corrente regolata -8 %...+5 % incluse variazioni di temperatura.

6.

IP rated drivers
Alimentatori protetti IP

7 YEARS WARRANTY
3% FAILURE RATE

10 YEARS WARRANTY
5% FAILURE RATE

PRODUCER'S LIABILITY
TCI

POWERED WITH ELECTRONICS
10 YEARS WARRANTY TO YEARS
ACCORDING TO THE CATERING CONDITIONS