

Direct current electronic drivers with DIP-SWITCH  
Alimentatori elettronici in corrente continua con DIP-SWITCH

Made in Italy

constant CURRENT constant VOLTAGE

RIPPLE FREE

Pst LM  $\leq 1$   
SVM  $\leq 0,4$

277 Vin



WIDESQUARE 30/350-700/2

UL-CLASS2 EAC c UL CSA-LVLE



WIDESQUARE 30/350-700 BI

3.5kV DIFF. 4kV COMM. ACTIVE PFC DIP-SWITCH SEC. SWITCH SAFETY PROTECTIONS

**Rated Voltage**  
Tensione Nominale  
100 <sup>(2)</sup>  
110 ÷ 277 V

**Frequency**  
Frequenza  
50-60 Hz

**AC Operation range**  
Tensione di utilizzo AC  
90 ÷ 305 V

**DC Operation range**  
Tensione di utilizzo DC  
(see page info15)  
176 ÷ 264 V

**Power out**  
Potenza uscita  
0 ÷ 30 W

**iTHD**  
 $\leq 15\%$  <sup>(1)</sup>

**Output current ripple**  
 $\leq 3\%$  <sup>(1)</sup>

**Standards compliance**  
CSA C22.2 No.250.13-14  
EN 55015

EN 61000-3-2  
EN 61000-3-3  
EN 61347-1  
EN 61347-2-13  
EN 61547  
EN 62384  
UL 1310  
UL 8750  
VDE 0710-T14

**Max. pcs for CB B16A**  
(see page info17)  
30 pcs

**In rush current**  
10A 40 $\mu$ sec

Article Articolo	Code Codice	P out W	V out DC <sup>(1)</sup>	I out DC	U out V	ta °C	tc °C	$\lambda$ Power Factor	$\eta$ max. Efficiency <sup>(1)</sup>	
<b>WIDESQUARE 30/350-700/2</b>	127162	<b>Constant current output - Uscita in corrente costante</b>				59	-25...+55	75	0,96 <sup>(3)</sup>	> 89 %
		16 (16 <sup>(2)</sup> )	47 max.	350 mA cost.						
		18 (18 <sup>(2)</sup> )	47 max.	400 mA cost.						
		20 (20 <sup>(2)</sup> )	46 max.	450 mA cost.						
		22 (22 <sup>(2)</sup> )	46 max.	500 mA cost.						
		24 (24 <sup>(2)</sup> )	45 max.	550 mA cost.						
		26 (26 <sup>(2)</sup> )	45 max.	600 mA cost.						
		28 (26 <sup>(2)</sup> )	43 max.	650 mA cost.						
		30 (26 <sup>(2)</sup> )	43 max.	700 mA cost.						
		<b>Constant voltage output - Uscita in tensione costante</b>								
		16 (16 <sup>(2)</sup> )	24 cost.	700 mA max.	-					
<b>WIDESQUARE 30/350-700 BI</b>	127164	<b>Constant current output - Uscita in corrente costante</b>				59	-25...+55	75	0,96 <sup>(3)</sup>	> 89 %
		16 (16 <sup>(2)</sup> )	47 max.	350 mA cost.						
		18 (18 <sup>(2)</sup> )	47 max.	400 mA cost.						
		20 (20 <sup>(2)</sup> )	46 max.	450 mA cost.						
		22 (22 <sup>(2)</sup> )	46 max.	500 mA cost.						
		24 (24 <sup>(2)</sup> )	45 max.	550 mA cost.						
		26 (26 <sup>(2)</sup> )	45 max.	600 mA cost.						
		28 (26 <sup>(2)</sup> )	43 max.	650 mA cost.						
		30 (26 <sup>(2)</sup> )	43 max.	700 mA cost.						
		<b>Constant voltage output - Uscita in tensione costante</b>								
		16 (16 <sup>(2)</sup> )	24 cost.	700 mA max.	-					

<sup>(1)</sup> Referred to  $V_{in} = 230$  V, 100% load - Riferito a  $V_{in} = 230$  V, carico 100%

<sup>(3)</sup>  $P_{out} > 20$  W = 0,90 C @220-277 Vin

$P_{out} > 5$  W = 0,96 @100-127 Vin

**Light output level in DC operation: Factory default 100% EOfi=1**

**Livello di emissione luminosa in funzionamento DC: Impostazioni di fabbrica 100% EOfi=1**

## Features

- Multipower driver supplied with dip-switch for the selection of the output current and voltage.
- IP20 independent driver, for indoor use.
- Class I protection against electric shock for direct or indirect contact.
- Active Power Factor Corrector.
- Current regulation  $\pm 5/6\%$  including temperature variations.
- Input and output terminal blocks on the same side (wire cross-section up to 1,5 mm<sup>2</sup> / AWG15).
- Clamping screws on primary and secondary circuits for cables with diameter: min. 3 mm - max. 8 mm.
- Protections:
  - against overheating and short circuits;
  - against mains voltage spikes;
  - against overloads.
- Thermal protection = C.5 a.

## Caratteristiche

- Alimentatore multipotenza fornito di dip-switch per la selezione della corrente e della tensione in uscita.
- Alimentatore indipendente IP20, per uso interno.
- Protetto in classe I contro le scosse elettriche per contatti diretti e indiretti.
- PFC attivo.
- Corrente regolata  $\pm 5/6\%$  incluse variazioni di temperatura.
- Morsetti di entrata e uscita sullo stesso lato (sezione cavo fino a 1,5 mm<sup>2</sup> / AWG15).
- Serracavo su primario e secondario per cavi di diametro: min. 3 mm - max. 8 mm.
- Protezioni:
  - termica e cortocircuito;
  - contro le extra-tensioni di rete;
  - contro i sovraccarichi.
- Protezione termica = C.5 a.

277 V input voltage drivers - Compact case not dimmable  
Alimentatori per rete 277 V - Formato compatto non regolabili

9.1

**7 YEARS WARRANTY**  
3% FAILURE RATE

**10 YEARS WARRANTY**  
5% FAILURE RATE

PRODUCER'S LIABILITY

WARRANTY WITH ELECTRONICS  
**10 YEARS**  
ACCORDING TO  
THE EUROPEAN  
CONDITIONS

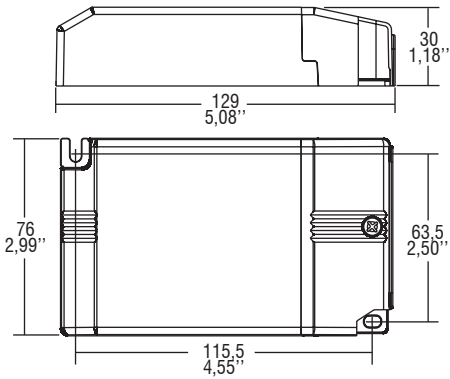
# WIDESQUARE 30/350-700



Direct current electronic drivers with DIP-SWITCH  
Alimentatori elettronici in corrente continua con DIP-SWITCH

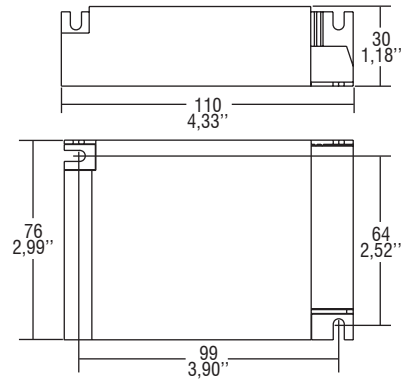
Made in Italy

**IP 20** **SCREW FIXING**  $\varnothing 90$  3.54" Weight - Peso gr. 245 / 8,6 oz.  
Pcs - Pezzi 35

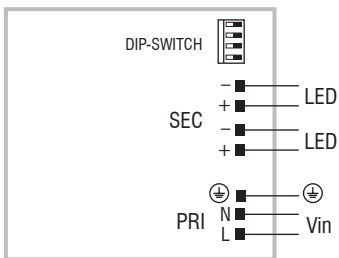


**BUILT-IN** **SCREW FIXING** Weight - Peso gr. 235 / 8,3 oz.  
Pcs - Pezzi 40

Compatible with ZHAGA (AM2)



**Wiring diagram - Schema di collegamento** (Max. LED distance on page info8 - Massima distanza LED a pagina info8)



277 V input voltage drivers - Compact case not dimmable  
Alimentatori per rete 277 V - Formato compatto non regolabili

**9.1**