

Electronic sensor for luminaire devices
Sensore elettronici per dispositivi di illuminazione

Product Features

- Patented coupling dipole antenna design and Adaptive Algorithm, which effectively solves the problem of low installation height of columnar antenna sensors and false triggering caused by side-lobe radiation of the antenna when installed in a metal room.
- Widely used in parking lots and other places, it solves the problem that traditional sensor cannot detect vehicles or the vehicle cannot be detected until it passes directly under the sensor.
- Sensor parameters can be set by DIP switches.



MWS SLIM MOTION LN

Parameters

Input	
Rated Voltage	220-240Vac 50/60Hz
Stand-by Power	≤0.5W
Surge Test	1KV(L/N,EN61000-4-5)
Output	
Output Signal	ON/OFF
Type of Load	Inductive or Resistive
Load Capacity	200W@230Vac(Inductive) ; 400W@230Vac(Resistive)
Max. Surge Capacity	7A relay 20A(50% Ipeak, twidth =200uS, 230Vac full load, cold start);
Sensor Parameters	
Working Frequency	5.8 GHz ±75MHz, ISM wave band
Transmitting Power	1mW Max.
Detection Area(Radius)	Ceiling mounting height 3m: r≥4m@0.3m/s, r≥2.5m@1m/s; Wall mounting height 3m: r≥5m@0.3m/s, r≥4m@1m/s Test condition: Set 100% sensitivity, open 60 m ² indoor area.
Mounting Height	3m (6m Max)
Hold time	5s/30s/90s/5min/20min/30min (Dial code)
Detection Area	100%/75%/50%/25%
Daylight Sensor	Normal Daylight 2Lux/10Lux/30Lux//50Lux/Disable
Operating Temperature	-25°C...+60°C
Storage Temperature	-40~80°C Humidity: ≤85% non-condensing
Certificate Standards	
Certified	CE, RED
Environmental Requirements	Comply with RoHS 2.0 Reach
IP Rating	IP20
Other	
Wiring	Press-in Type Terminals, wire diameter: 0.5-0.75mm ²

Electronic sensor for luminaire devices
Sensore elettronici per dispositivi di illuminazione

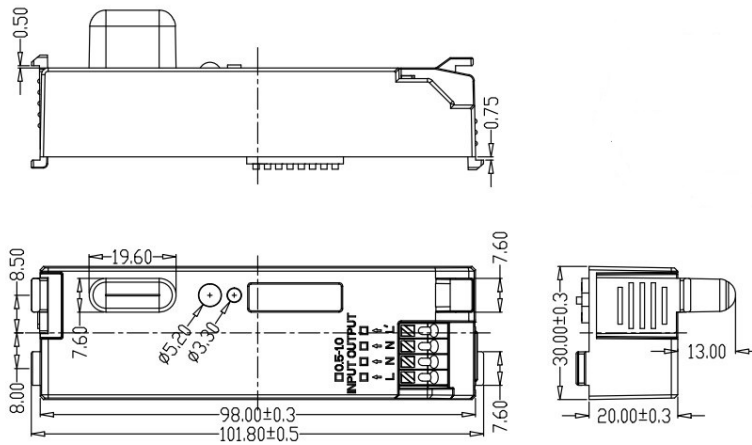
Installation	Built-in
Package	Bubble bag+Clapboard + Carton(K=A)
Net Weight	40.3±3g
Lifetime	5 years warranty@Ta

Function

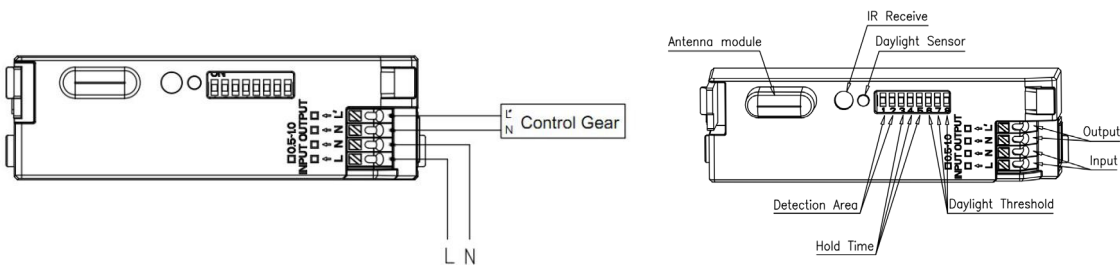
<input checked="" type="checkbox"/> ON/OFF function	Light control Disable or external brightness value is lower than the set value. When the microwave sensors detects the movement of an object, the sensor triggers and enters the light-on state. It maintains the light-on state after a delay and then enters the light-off state.
<input type="checkbox"/> Two-step dimming function	N/A
<input type="checkbox"/> Three-step dimming function	N/A
<input type="checkbox"/> Daylight harvesting	N/A
<input type="checkbox"/> Daylight priority	N/A

Product Information

● Dimension (units: mm)



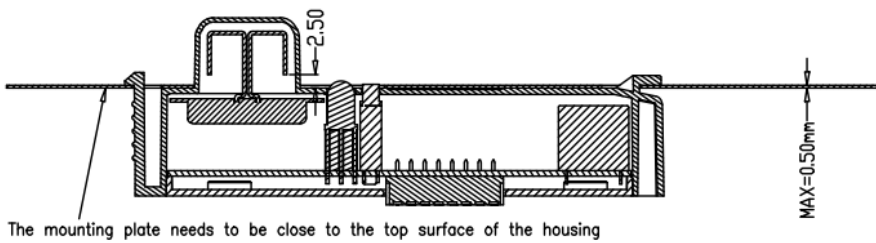
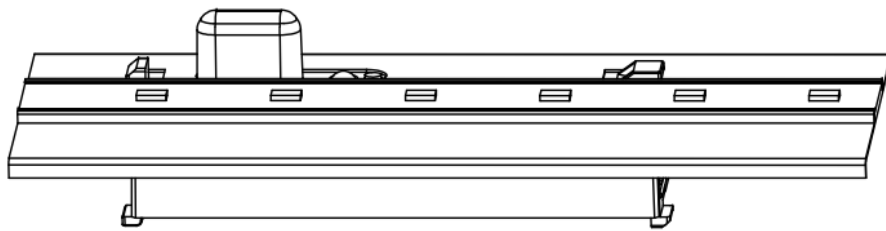
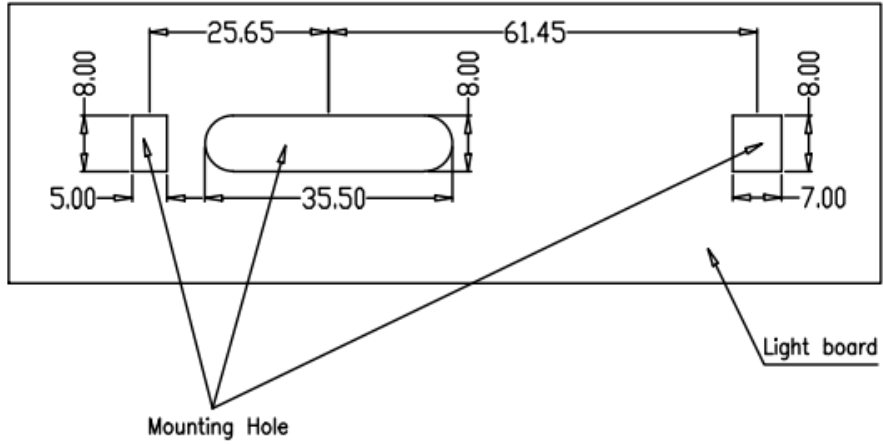
● Function & Wiring



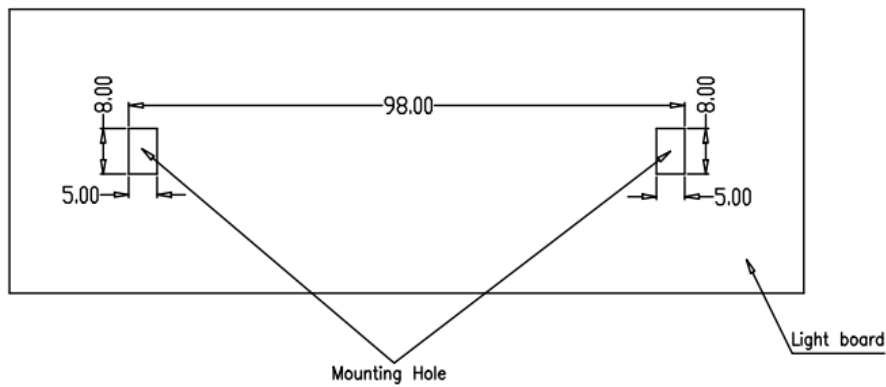
Electronic sensor for luminaire devices
Sensore elettronici per dispositivi di illuminazione

● Installation

Method 1

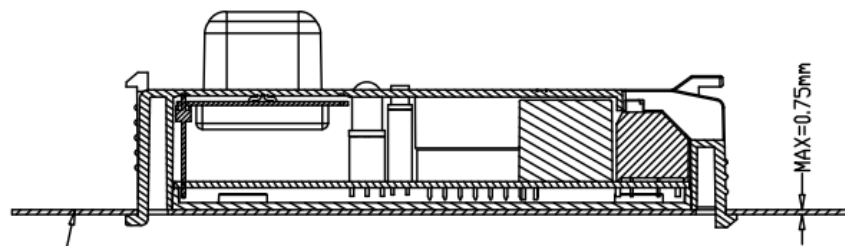
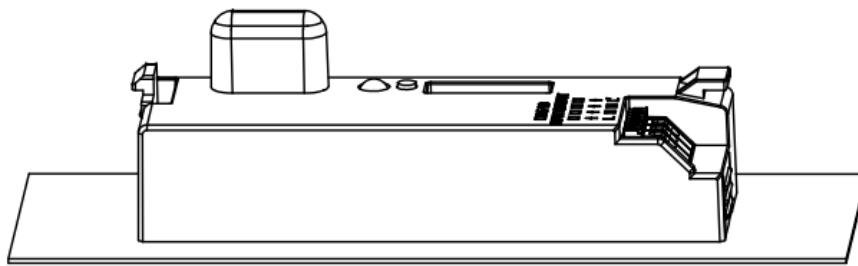


Method: 11



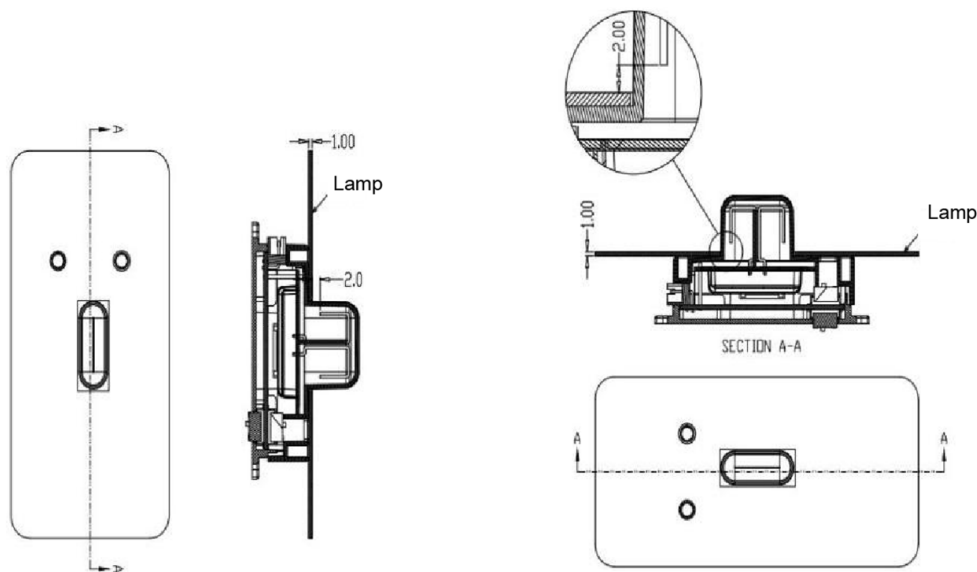
Accessories and other products - Filters and line protections
 Accessori e altri prodotti - Filtri e protezioni di linea

Electronic sensor for luminaire devices
 Sensore elettronici per dispositivi di illuminazione



The mounting plate needs to be close to the top surface of the housing

Antenna installation tips



Suggestion: The bottom Angle of the light plate from the microwave antenna should be higher than 2mm, otherwise the induction distance will become closer

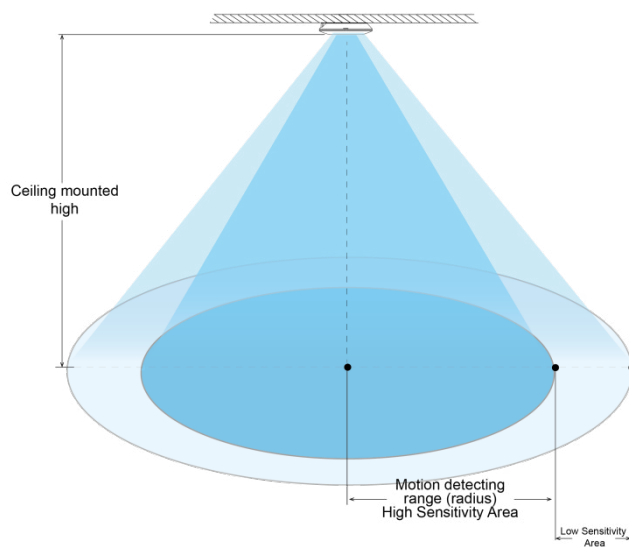
Electronic sensor for luminaire devices
Sensore elettronici per dispositivi di illuminazione

DIP Switch Setting

Function	Detection Area			Hold Time			
Dial code	1	2	Detection area	3	4	5	Hold time
I	ON	ON	100%	ON	ON	ON	5s
II	-	ON	75%	-	ON	ON	30s
III	ON	-	50%	ON	-	ON	90s
IV	-	-	25%	-	-	ON	5min
V	N/A	N/A	N/A	ON	ON	-	20min
VI	N/A	N/A	N/A	-	-	-	30min

Function	Daylight Sensor			
Dial code	6	7	8	Daylight Sensor Threshold
I	ON	ON	ON	2Lux
II	ON	ON	-	10Lux
III	-	ON	-	30Lux
IV	ON	-	-	50Lux
V	-	-	-	Disable*
VI	N/A	N/A	N/A	N/A

- Radiation Pattern



Electronic sensor for luminaire devices
Sensore elettronici per dispositivi di illuminazione

Initialization

The light will be turned on 100% brightness after power on, and will be turned off after 10 seconds. During initialization, no external motion sensing signal will be detected.

Default Setting

Sensitivity: 100% Hold time: 5s Daylight sensor: Disable

Application Notice

- The sensor should be installed by a professional electrician. Please turn off the power before installing, wiring, changing the setting of the DIP switch.
- Sensitivity area is related to moving speed of objects, size of moving objects, mounting height, mounting angle, working environment, reflecting materials and etc.. Given detecting area is typical value that was measured by 165cm/65kg testers in an indoor open environment.
- The detection area of the microwave sensor when installed on the wall will be greatly increased compared to when installed on the ceiling. If adopts wall ceiling, please reduce the sensitivity or contact our company to confirm the usage settings. The daylight thresholds are measured on a sunny day without shadow and in an ambient light diffuse reflection status. Different environment and climate cause different brightness values that daylight sensor measures.
- Sensor parameters may need to be reconfigured in different installation environments, please refer to the following instructions or contact the manufacturer.
- Sensor is for indoor use only. The waterproof effect for outdoor or half-outdoor use will be affected. Wind, rain, and moving objects may cause false triggering.
- The installation height of the sensor product cannot exceed 6 meters, and the optimal height is 3 meters. The distance between the two sensors should be greater than 3m.
- When the sensor is installed in a metal lamp, on a metal reflective surface, or in a small closed environment, the microwave will be reflected multiple times and cause false triggering. Please reduce the sensitivity of the sensor or contact the manufacturer for technical support.
- Please make sure that there are no moving signals such as fans, DC motors, sewer pipes, air outlets, etc. around the sensor, otherwise the sensor may cause false triggering.
- Microwaves cannot penetrate metal. Do not place product in a closed or a half-closed metal lamp. Neither metal nor glass is not allowed to cover above the product.