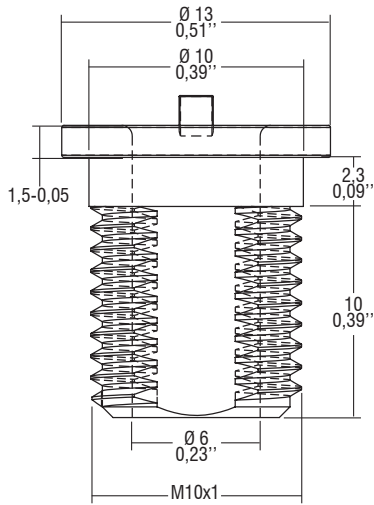
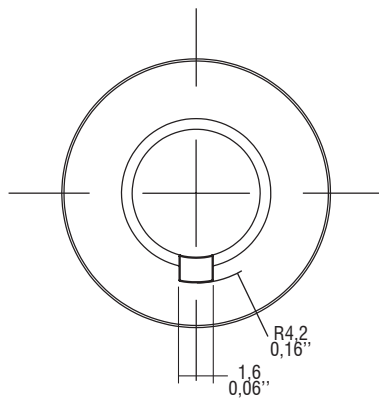


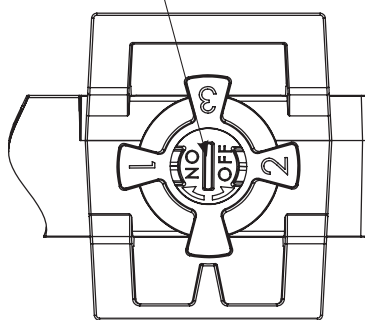
Nipples for adapter with built-in LED driver
Attacchi per adattatore da binario con LED driver incorporato



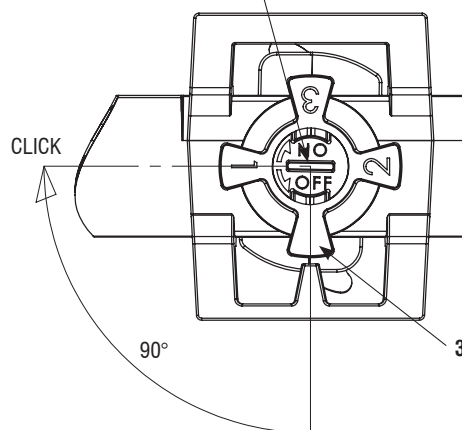
Accessories not supplied - Accessori non a corredo	
Article - Articolo	Code - Codice
MINI NIPPLE	488787917K1



1) BEFORE INSERTING INTO THE TRACK
OFF POSITION ALL CONTACTS IN



2) AFTER INSERTING INTO THE TRACK
MOVE 90° UNTIL YOU SEE A CLICK ON POSITION
ALL CONTACTS OUT



3) LAST OPERATION
CHOOSE THE PHASE

WARNING: phase selection by means properly tool - 0,8x4,0 mm
ATTENZIONE: selezione delle fasi tramite cacciavite - 0,8x4,0 mm

230V LED driver track adapters
Alimentatore LED 230V per adattatori da binario

10.1