

**Direct current electronic drivers with DIP-SWITCH**  
**Alimentatori elettronici in corrente continua con DIP-SWITCH**

Made in Italy

constant  
**CURRENT**

DAMP LOCATION  
UL-CLASS2  
CSA-LVLE

UL-CLASS2  
CSA-LVLE

05

KEMA  
EUR

(4)  
SAA-142180-EA

(5)  
CCC

110

M M

EL

SELV 60V

**RIPPLE FREE**



MP 55 HC/2 - MP 55 1400/2



MP 55 HC BI - MP 55 1400 BI

2.1

Multipower DIP-SWITCH drivers - Compact case  
Alimentatori multipotenza con DIP-SWITCH - Formato compatto

ACTIVE PFC DIP-SWITCH 3.5kV DIFF. 4kV COMM. 12V AUX. 100 mA SAFETY PROTECTIONS

**Rated Voltage**  
**Tensione Nominale**

110 ÷ 120 V <sup>(2)(3)</sup>  
220 ÷ 240 V

**Frequency**  
**Frequenza**

50/60 Hz

**AC Operation range**  
**Tensione di utilizzo AC**

99 ÷ 264 V

**DC Operation range**  
**Tensione di utilizzo DC**

(see page info15)  
170 ÷ 280 V

**Power**  
**Potenza**

1 ÷ 55 W

**Output current ripple**  
≤ 3% <sup>(1)</sup>

**Reference Norms**  
**Norme di riferimento**

CSA-C22.2 n° 223 <sup>(2)(3)</sup>  
CSA-C22.2 n° 250.13-14 <sup>(2)(3)</sup>  
EN 50172 (VDE 0108)  
EN 55015  
EN 60598-2-22  
EN 61000-3-2  
EN 61347-1  
EN 61347-2-13  
EN 61547  
EN 62384  
UL 1310 <sup>(2)(3)</sup>  
UL 8750 <sup>(2)(3)</sup>  
VDE 0710-T14

**Max. pcs for CB B16A**  
(see page info17)  
30 pcs

**In rush current**  
10A 200µsec

**7 YEARS WARRANTY**  
3% FAILURE RATE

**10 YEARS WARRANTY**  
5% FAILURE RATE

PRODUCER'S LIABILITY  
TCI

WARRANTY 10 YEARS  
ACCORDING TO THE EUROPEAN CONDITIONS  
2017

Article Articolo	Code Codice	P out W	V out DC <sup>(1)</sup>	I out DC	V out max.	ta °C	tc °C	λ max. Power Factor	η max. Efficiency <sup>(1)</sup>	
<b>MP 55 HC/2</b>	127310	<b>Constant current output - Uscita in corrente costante</b>					-25...+50	85	0,98	90
<b>MP 55 HC BI</b> <sup>(3)</sup>	122208	45 (40 <sup>(2)</sup> )	2...44	1,05 A cost.	55					
		52 (40 <sup>(2)</sup> )	2...44	1,2 A cost.						
		55 (40 <sup>(2)</sup> )	2...39	1,4 A cost.						
		55 (40 <sup>(2)</sup> )	2...35	1,6 A cost.						
		55 (40 <sup>(2)</sup> )	2...30	1,75 A cost.						
		55 (40 <sup>(2)</sup> )	2...26	2,1 A cost.						
48Vout voltage limit settable with Dip-Switch - Poutmax=55W							-25...+45	85	0,98	90
<b>MP 55 1400/2</b>	127310/14	45 (40 <sup>(2)</sup> )	2...44	1,05 A cost.	55					
<b>MP 55 1400 BI</b> <sup>(3)</sup>	122208/14	52 (40 <sup>(2)</sup> )	2...44	1,2 A cost.						
		55 (40 <sup>(2)</sup> )	2...39	1,4 A cost.						

<sup>(1)</sup> Referred to V<sub>m</sub> = 230 V, 100% load - Riferito a V<sub>m</sub> = 230 V, carico 100%

<sup>(4)</sup> Only for **MP 55 HC/2**

<sup>(5)</sup> Only for **MP 55 HC BI**

**Accessories not supplied - Accessori non a corredo**

Article - Articolo	L (length)	Code - Codice
6-pin cable for LED and AUX Cavo 6 poli per LED e AUX	50 cm / 19,68"	425720017

### Features

- Multipower driver supplied with dip-switch for the selection of the output current.
- IP20 independent driver, for indoor use (MP 55 /2).
- Class I protection against electric shock for direct or indirect contact (MP 55 /2).
- Driver for built-in use (MP 55 BI).
- It can be used for lighting equipment in protection class I (MP 55 BI).
- Active Power Factor Corrector.
- Auxiliary output 12 V max. 100 mA.
- Current regulation ±5 % including temperature variations.
- Input and output terminal blocks on the same side (wire cross-section up to 1,5 - 2,5 mm<sup>2</sup> / AWG15 - AWG13).
- Clamping screws on primary and secondary circuits for cables with diameter: min. 3 mm - max. 8 mm (MP 55 /2).
- Driver can be secured with slot for screws.
- Protections:
  - against overheating and short circuits;
  - against mains voltage spikes;
  - against overloads.
- Thermal protection = C.5.a.

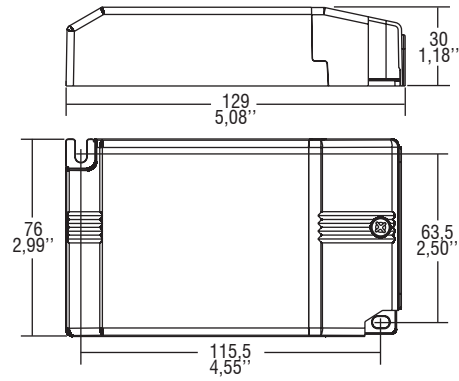
### Caratteristiche

- Alimentatore multipotenza fornito di dip-switch per la selezione della corrente in uscita.
- Alimentatore indipendente IP20, per uso interno (MP 55 /2).
- Protetto in classe I contro le scosse elettriche per contatti diretti e indiretti (MP 55 /2).
- Alimentatore da incorporare (MP 55 BI).
- Utilizzabile per apparecchi di illuminazione in classe di protezione I (MP 55 BI).
- PFC attivo.
- Uscita ausiliare 12 V max. 100 mA.
- Corrente regolata ±5 % incluse variazioni di temperatura.
- Morsetti di entrata e uscita sullo stesso lato (sezione cavo fino a 1,5 - 2,5 mm<sup>2</sup> / AWG15 - AWG13).
- Serracavo su primario e secondario per cavi di diametro: min. 3 mm - max. 8 mm (MP 55 /2).
- Fissaggio dell'alimentatore tramite asole per viti.
- Protezioni:
  - termica e cortocircuito;
  - contro le extra-tensioni di rete;
  - contro i sovraccarichi.
- Protezione termica = C.5.a.

**Direct current electronic drivers with DIP-SWITCH**  
**Alimentatori elettronici in corrente continua con DIP-SWITCH**

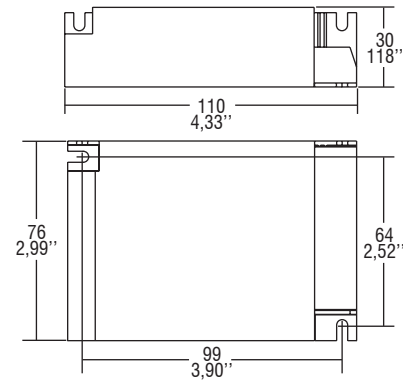
Made in Italy

**IP 20** **SCREW FIXING**  $\varnothing 90$  3.54" Weight - Peso gr. 250 / 9 oz.  
 Pcs - Pezzi 40

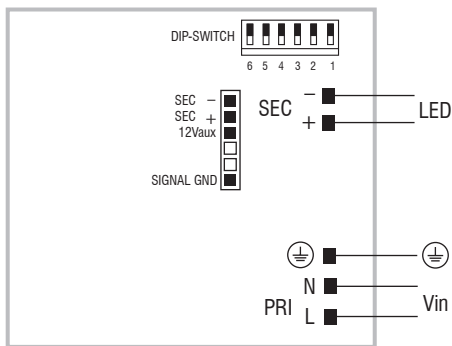


**BUILT-IN** **SCREW FIXING** Weight - Peso gr. 235 / 9 oz.  
 Pcs - Pezzi 40

Compatible with ZHAGA (AM2)



**Wiring diagram - Schema di collegamento** (Max. LED distance on page info8 - Massima distanza LED a pagina info8)



**2.1**

Multipower DIP-SWITCH drivers - Compact case  
 Alimentatori multipotenza con DIP-SWITCH - Formato compatto