

**Direct current electronic drivers**  
**Alimentatori elettronici in corrente continua**

Made in Italy 

1.2

Single current drivers - With PFC - Switchable  
Alimentatori corrente singola - Con PFC - Non regolabili

constant CURRENT constant VOLTAGE

**RIPPLE FREE**

Pst LM  $\leq 1$   
SVM  $\leq 0,4$



**Rated Voltage**  
**Tensione Nominale**  
100 ÷ 127 V <sup>(2)</sup>  
100 ÷ 240 V

**Frequency**  
**Frequenza**  
50-60 Hz

**AC Operation range**  
**Tensione di utilizzo AC**  
90 ÷ 264 V

**Power - Potenza**  
1 ÷ 9 W

**iTHD**  
 $\geq 40\%$  <sup>(1)</sup>

**Output current ripple**  
 $\leq 3\%$  <sup>(1)</sup>

**Standards compliance**  
EN 55015  
EN 61000-3-2  
EN 61000-3-3  
EN 61347-1  
EN 61347-2-13  
EN 61547  
VDE 0710-T14

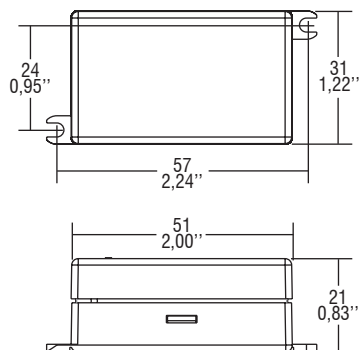
**Max. pcs for CB B16A**  
(see page info17)  
50 pcs

**In rush current**  
20A 170 $\mu$ sec

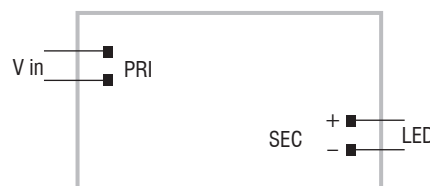
Article Articolo	Code Codice	P out W	V out DC	I out DC	U out V	ta °C	tc °C	$\lambda$ max. Power Factor	$\eta$ max. Efficiency
<b>STC 6W 500mA HPFU</b>	141054	6	2...12,6	500 mA cost.	14	-25...+45	75	0,8 (0,9 <sup>(2)</sup> ) C	> 72
<b>STC 8W 350mA HPFU</b>	141050	6 <sup>(2)</sup> /8	2...25,2	350 mA cost.	26	-25...+50	80	0,87C	> 78
<b>STC 9W 350mA HPFU</b>	141052	6 <sup>(2)</sup> /9	2...27	350 mA cost.	30	-25...+45/50 <sup>(2)</sup>	75/80 <sup>(2)</sup>	0,88C	> 80

<sup>(1)</sup> Referred to  $V_m = 230$  V, 100% load - Riferito a  $V_m = 230$  V, carico 100%

**BUILT-IN SCREW FIXING** Weight - Peso: gr. 35 / 1,23 oz.  
Pcs - Pezzi 50



**Wiring diagram - Schema di collegamento**  
(Max. LED distance on page info8 - Massima distanza LED a pagina info8)



**Features**

- Driver for built-in use.
- Input and output terminal blocks on opposite sides.
- Single terminal at the primary and secondary circuit (wire cross-section up to 2,5 mm<sup>2</sup> / AWG13).
- It can be used for lighting equipment in protection class I and II.
- Current regulation +5 % including temperature variations.
- Protections:
  - against overheating and short circuits;
  - against mains voltage spikes;
  - against overloads.

**Caratteristiche**

- Alimentatore da incorporare.
- Morsetti di entrata e uscita contrapposti.
- Singolo morsetto su primario e secondario (sezione cavo fino a 2,5 mm<sup>2</sup> / AWG13).
- Utilizzabile per apparecchi di illuminazione in classe di protezione I e II.
- Corrente regolata +5 % incluse variazioni di temperatura.
- Protezioni:
  - termica e cortocircuito;
  - contro le extra-tensioni di rete;
  - contro i sovraccarichi.

**7 YEARS WARRANTY**  
3% FAILURE RATE

**10 YEARS WARRANTY**  
5% FAILURE RATE

**PRODUCER'S LIABILITY**  
**10 YEARS WARRANTY**  
ACCORDING TO THE EUROPEAN CONDITIONS

The data shown are preliminary and may change - I dati riportati sono preliminari e potrebbero subire variazioni