

### INGRESSO

- Nominale AC: 220/240 Vac  $-10/+10\%$  50/60Hz.
- Range DC: 170/280 Vdc
- Morsettiera 1 x 0.75... 1.5 mm<sup>2</sup>.
- Corrente AC: 0.23 A.
- Corrente massima DC: 0.25 A.
- Fattore di potenza  $\lambda$ : 0.95 @ Pout >7W
- Armoniche corrente assorbita: secondo EN 61000-3-2.
- Inrush current: 5A 50uS.

### USCITA

- Isolamento SELV.
- Morsettiera 1 x 0,5...1.5 mm<sup>2</sup>.
- Selezione corrente di uscita tramite NFC .
- Potenza massima e precisione di corrente  
8,1W @ 150mA  $\pm 6\%$  (33...54V)  
10,8W @ 200mA  $\pm 6\%$  (25...54V)  
13,5W @ 250mA  $\pm 6\%$  (20...54V)  
16,2W @ 300mA  $\pm 6\%$  (16...54V)  
18,9W @ 350mA  $\pm 5\%$  (14...54V)  
21,6W @ 400mA  $\pm 5\%$  (12,5...54V)  
24,3W @ 450mA  $\pm 5\%$  (11...54V)  
27W @ 500mA  $\pm 5\%$  (10...54V)  
29,7W @ 550mA  $\pm 5\%$  (10...54V)  
32,4W @ 600mA  $\pm 5\%$  (10...54V)  
35,1W @ 650mA  $\pm 5\%$  (10...54V)  
37,8W @ 700mA  $\pm 5\%$  (10...54V)  
38W @ 750mA  $\pm 5\%$  (10...51V)  
38W @ 800mA  $\pm 5\%$  (10...47,5V)  
38W @ 850mA  $\pm 5\%$  (10...44,7V)  
38W @ 900mA  $\pm 5\%$  (10...42,2V)  
38W @ 950mA  $\pm 5\%$  (10...40V)  
38W @ 1000mA  $\pm 5\%$  (10...38V)  
38W @ 1050mA  $\pm 5\%$  (10...36,2V)

- Pmin: 5W
- Tensione in uscita massima: < 59 VDC.
- Efficienza massimo carico: 89%.

### FILTRO ANTIDISTURBO EMI

- Secondo EN55015.

### PROTEZIONI

- All'ingresso, contro sovratensioni impulsive di rete ( secondo EN 61547).
- Protezione al corto circuito e al circuito aperto.
- Protezione al sovraccarico e di temperatura (C.5.a della EN 61347-1).
- All'ingresso, contro sovratensioni impulsive di rete ( secondo EN 61547) fino a 2KV N-L , 4KV N-GND e 4KV L-GND

### INPUT

- Nominal AC: 220/240 Vac  $-10/+10\%$  50/60Hz.
- Range DC: 170/280 Vdc
- Terminal block for up to 1 x 0.75...1.5 mm<sup>2</sup>.
- Input Current AC: 0.23 A.
- Max Input Current DC: 0.25A.
- Power factor  $\lambda$ : 0.95 @ Pout >7W.
- Harmonic content of mains current: according to EN 61000-3-2.
- Inrush current: 5A 50uS.

### OUTPUT

- SELV insulation on output.
- Terminal block for up to 1 x 0,5...1.5 mm<sup>2</sup>.
- Selectable output current through NFC
- Max output power and current precision  
8,1W @ 150mA  $\pm 6\%$  (33...54V)  
10,8W @ 200mA  $\pm 6\%$  (25...54V)  
13,5W @ 250mA  $\pm 6\%$  (20...54V)  
16,2W @ 300mA  $\pm 6\%$  (16...54V)  
18,9W @ 350mA  $\pm 5\%$  (14...54V)  
21,6W @ 400mA  $\pm 5\%$  (12,5...54V)  
24,3W @ 450mA  $\pm 5\%$  (11...54V)  
27W @ 500mA  $\pm 5\%$  (10...54V)  
29,7W @ 550mA  $\pm 5\%$  (10...54V)  
32,4W @ 600mA  $\pm 5\%$  (10...54V)  
35,1W @ 650mA  $\pm 5\%$  (10...54V)  
37,8W @ 700mA  $\pm 5\%$  (10...54V)  
38W @ 750mA  $\pm 5\%$  (10...51V)  
38W @ 800mA  $\pm 5\%$  (10...47,5V)  
38W @ 850mA  $\pm 5\%$  (10...44,7V)  
38W @ 900mA  $\pm 5\%$  (10...42,2V)  
38W @ 950mA  $\pm 5\%$  (10...40V)  
38W @ 1000mA  $\pm 5\%$  (10...38V)  
38W @ 1050mA  $\pm 5\%$  (10...36,2V)

- Pmin: 5W
- Max. Output voltage: < 59 VDC.
- Efficiency @full load: 89%.

### EMI

- According to EN55015.

### PROTECTIONS

- Against input overvoltages from mains ( according to EN61547).
- Against short circuit and open circuit.
- Thermal and overload protection (C.5.a EN 61347-1).
- Against input overvoltages from mains ( according to EN61547) up to 2KV N-L , 4KV N-GND e 4KV L-GND.

ENTE EMITTENTE: DT Compilato \_\_\_\_\_ Visto \_\_\_\_\_

**AMBIENTE**

- Temp. ambiente: -25...40 °C ( Iout > 700 mA)
- Temp. ambiente: -25...50 °C ( Iout=150mA-700mA)
- tc = 85 °C
- tc life 50000H = 85°C.

**SICUREZZA**

- Hi-pot test: 3.75 kV, 100% per 2 sec.

**NORMATIVE**

- EN 61347-1 ; EN 61347-2-13 ; EN 61547 ;
- EN 55015 ; EN 61000-3-2 ; EN62384  
DIN VDE 0710 teil 14.  
KEMA KEUR / ENEC05 pending

**AMBIENT**

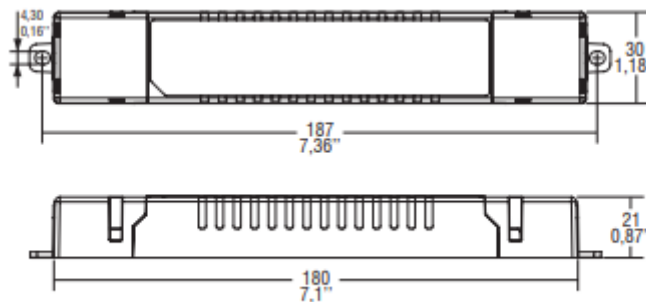
- Ambient Temp.: -25....40 °C( Iout>700 mA )
- Ambient Temp.: -25....50 °C( Iout=150mA-700mA)
- tc = 85 °C
- tc life 50000H = 85°C.








**SAFETY**

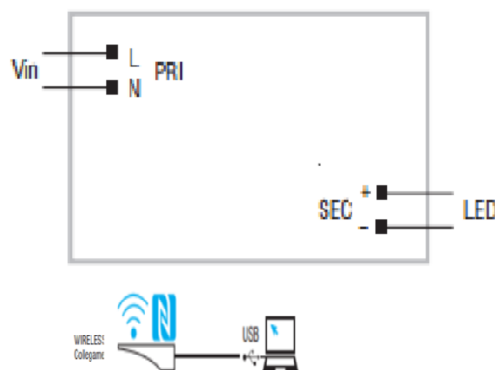
- Hi-pot test: 3.75 kV, 100% for 2 sec.

**STANDARDS**

- EN 61347-1 ; EN 61347-2-13 ; EN 61547 ;
- EN 55015 ; EN 61000-3-2 ; EN62384  
DIN VDE 0710 teil 14.  
KEMA KEUR / ENEC05 pending

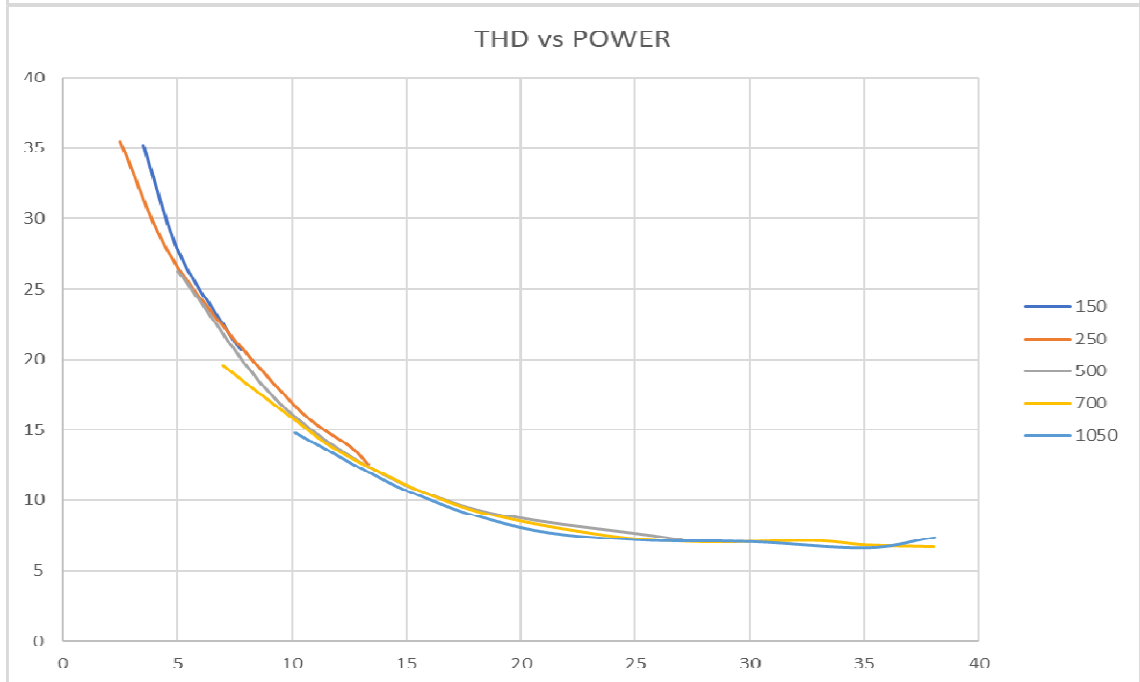
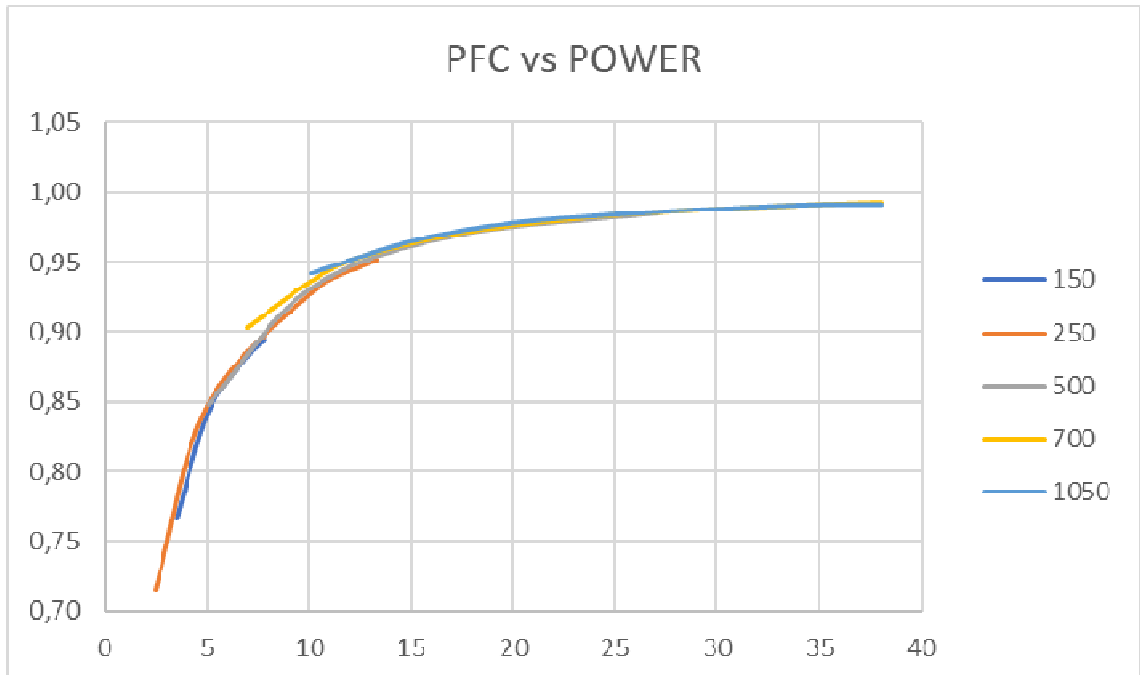


<p> <input type="checkbox"/> L <b>TCI</b> ATON PRO 38/150-1050 NFC  <input type="checkbox"/> N MADE IN ITALY AC/DC LED P/S for LED          via Parma 14, 21047 Saronno (VA) Italy, www.tci.it  <input type="checkbox"/> PRI       </p>	<p>         cod.127688             </p>	<p>         24/21            PRI 0,75-1,5          8,5-9,5 mm          SEC 0,5-1,5          8,5-9,5 mm          SEC . + □          . □       </p>
<p>         PRI: AC 220 - 240V 50/60Hz  <math>\lambda = 0,95</math> (Pout&gt;7W) Imax=0,23A          SEC: 150-1050mA; 5-54V; 5-38W; Uout=59V          ta= -25...40°C; tc=85°C (Iout&gt; 700mA)          ta= -25...50°C; tc=85°C (Iout= 150mA-700mA)          176-276Vdc range x em. appl.; Imax=0,25A       </p>		

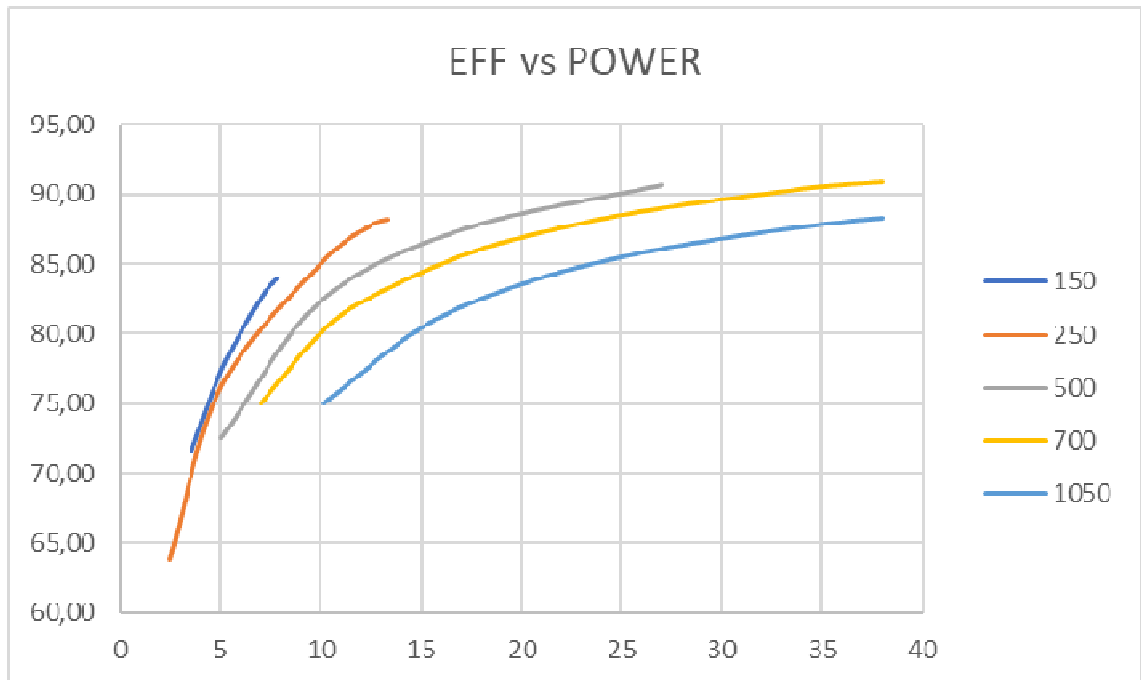


Download NFC programmer from: [https://www.allix-download.cloud/NFC\\_Reader/NFC\\_Reader.htm](https://www.allix-download.cloud/NFC_Reader/NFC_Reader.htm)

ENTE EMITTENTE: DT Compilato \_\_\_\_\_ Visto \_\_\_\_\_



ENTE EMITTENTE: \_\_\_\_\_ Compilato: \_\_\_\_\_ Visto: \_\_\_\_\_



ENTE EMITTENTE: \_\_\_\_\_ Compilato: \_\_\_\_\_ Visto: \_\_\_\_\_