

DCC HPFU

Direct current electronic drivers
Alimentatori elettronici in corrente continua

Made in Italy 

constant CURRENT constant VOLTAGE

ERC EN 05⁽⁴⁾ KEMA EUR  EL SELV 60V

1.2

RIPPLE FREE



1-2kV DIFF. 2kV COMM. SEC. SWITCH SAFETY PROTECTIONS

Rated Voltage
Tensione Nominale
100 ÷ 127 V⁽²⁾
220 ÷ 240 V

Frequency - Frequenza
50-60 Hz

AC Operation range
Tensione di utilizzo AC
90 ÷ 264 V

DC Voltage
Tensione DC
(see page info15)
176 ÷ 275 V

Power - Potenza
0 ÷ 15 W

iTHD
≤ 45%⁽¹⁾

Output current ripple
≤ 3%⁽¹⁾

Standards compliance
EN 50172
EN 55015
EN 60598-1
EN 61000-3-2
EN 61000-3-3
EN 61347-1
EN 61347-2-13
EN 61547
EN 62384
VDE 0710-T14

Max. pcs for CB B16A
(see page info17)
27 pcs

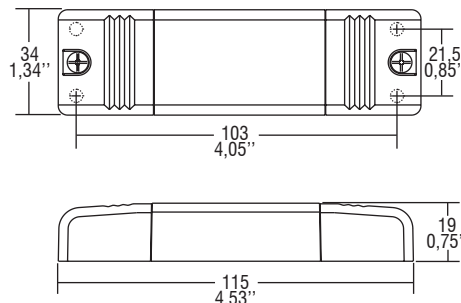
In rush current
27A 250µsec

Article Articolo	Code Codice	P out W	V out DC ⁽¹⁾	I out DC	U out V	ta °C	tc °C	λ max. Power Factor	η max. Efficiency ⁽¹⁾
DCC 10W 250mA HPFU	127699	10 (10 ⁽²⁾)	2...43	250 mA cost.	45	-25...+50	75/80 ⁽²⁾	0,85 C	> 85
DCC 12W 500mA HPFU ⁽³⁾⁽⁴⁾	127711	12 (10 ⁽²⁾)	2...24	500 mA cost.	25	-25...+50	80	0,85 C	> 83
DCC 12W 700mA HPFU ⁽³⁾⁽⁴⁾	127712	12 (10 ⁽²⁾)	2...16	700 mA cost.	19	-25...+45	75	0,85 C	> 80
DCC 15W 350mA HPFU	127713	14,5 (10 ⁽²⁾)	2...41,5	350 mA cost.	45	-25...+45	75/80 ⁽²⁾	0,9 (0,85 ⁽²⁾) C	> 85

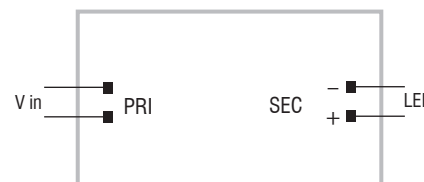
⁽¹⁾ Referred to V_{in} = 230 V, 100% load - Riferito a V_{in} = 230 V, carico 100%

⁽⁴⁾ ENEC only for 220-240 V - ENEC solo per 220-240 V

  IP 20  SCREW FIXING  Ø40 1,57"  Weight - Peso: gr. 60 / 2,07 oz. Pcs - Pezzi 50



Wiring diagram - Schema di collegamento
(Max. LED distance on page info8 - Massima distanza LED a pagina info8)



Features

- **Active Power Factor Corrector.**
- IP20 independent driver, for indoor use.
- Class II protection against electric shock for direct or indirect contact.
- Supplied with terminal cover and cable retainer.
- Input and output terminal blocks on opposite sides (wire cross-section up to 2,5 mm² / AWG13).
- Single terminal block on primary and secondary circuit.
- Clamping screws on primary and secondary circuits for cables with diameter: min. 3 mm - max. 8 mm.
- Driver can be secured with slot for screws.
- Protections:
 - against overheating and short circuits;
 - against mains voltage spikes;
 - against overloads.
- Thermal protection = C.5.a.

Caratteristiche

- **PFC attivo.**
- Alimentatore indipendente IP20, per uso interno.
- Protetto in classe II contro le scosse elettriche per contatti diretti e indiretti.
- Fornito di coprimorsetto e serracavo.
- Morsetti di entrata e uscita contrapposti (sezione cavo fino a 2,5 mm² / AWG13).
- Singola morsettiera su primario e secondario.
- Serracavo su primario e secondario per cavi di diametro: min. 3 mm - max. 8 mm.
- Fissaggio dell'alimentatore tramite asole per viti.
- Protezioni:
 - termica e cortocircuito;
 - contro le extra-tensioni di rete;
 - contro i sovraccarichi.
- Protezione termica = C.5.a.

Single current drivers - With PFC - Switchable
Alimentatori corrente singola - Con PFC - Non regolabili

7 YEARS WARRANTY
3% FAILURE RATE

10 YEARS WARRANTY
5% FAILURE RATE

PRODUCER'S LIABILITY
TCI

10 YEARS WARRANTY
ACCORDING TO THE CONTRACTOR'S CONDITIONS