

# DCC HPFU

Direct current electronic drivers  
Alimentatori elettronici in corrente continua

Made in Italy 

constant CURRENT constant VOLTAGE

ERC EN 05<sup>(4)</sup> KEMA EUR  EL SELV 60V

1.2

RIPPLE FREE



1-2KV DIFF. 2KV COMM. SEC. SWITCH SAFETY PROTECTIONS

**Rated Voltage**  
Tensione Nominale  
100 ÷ 127 V<sup>(2)</sup>  
220 ÷ 240 V

**Frequency - Frequenza**  
50-60 Hz

**AC Operation range**  
Tensione di utilizzo AC  
90 ÷ 264 V

**DC Voltage**  
Tensione DC  
(see page info15)  
176 ÷ 275 V

**Power - Potenza**  
0 ÷ 15 W

**iTHD**  
≤ 45%<sup>(1)</sup>

**Output current ripple**  
≤ 3%<sup>(1)</sup>

**Standards compliance**  
EN 50172  
EN 55015  
EN 60598-1  
EN 61000-3-2  
EN 61000-3-3  
EN 61347-1  
EN 61347-2-13  
EN 61547  
EN 62384  
VDE 0710-T14

**Max. pcs for CB B16A**  
(see page info17)  
27 pcs

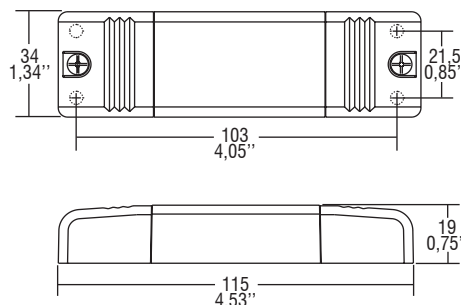
**In rush current**  
27A 250µsec

Article Articolo	Code Codice	P out W	V out DC <sup>(1)</sup>	I out DC	U out V	ta °C	tc °C	λ max. Power Factor	η max. Efficiency <sup>(1)</sup>
<b>DCC 10W 250mA HPFU</b>	127699	10 (10 <sup>(2)</sup> )	2...43	250 mA cost.	45	-25...+50	75/80 <sup>(2)</sup>	0,85 C	> 85
<b>DCC 12W 500mA HPFU</b> <sup>(3)(4)</sup>	127711	12 (10 <sup>(2)</sup> )	2...24	500 mA cost.	25	-25...+50	80	0,85 C	> 83
<b>DCC 12W 700mA HPFU</b> <sup>(3)(4)</sup>	127712	12 (10 <sup>(2)</sup> )	2...16	700 mA cost.	19	-25...+45	75	0,85 C	> 80
<b>DCC 15W 350mA HPFU</b>	127713	14,5 (10 <sup>(2)</sup> )	2...41,5	350 mA cost.	45	-25...+45	75/80 <sup>(2)</sup>	0,9 (0,85 <sup>(2)</sup> ) C	> 85

<sup>(1)</sup> Referred to V<sub>in</sub> = 230 V, 100% load - Riferito a V<sub>in</sub> = 230 V, carico 100%

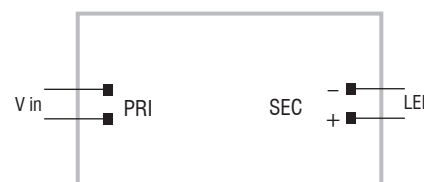
<sup>(4)</sup> ENEC only for 220-240 V - ENEC solo per 220-240 V

  IP 20  SCREW FIXING  Ø40 1,57" Weight - Peso: gr. 60 / 2,07 oz. Pcs - Pezzi 50



### Wiring diagram - Schema di collegamento

(Max. LED distance on page info8 - Massima distanza LED a pagina info8)



### Features

- **Active Power Factor Corrector.**
- IP20 independent driver, for indoor use.
- Class II protection against electric shock for direct or indirect contact.
- Supplied with terminal cover and cable retainer.
- Input and output terminal blocks on opposite sides (wire cross-section up to 2,5 mm<sup>2</sup> / AWG13).
- Single terminal block on primary and secondary circuit.
- Clamping screws on primary and secondary circuits for cables with diameter: min. 3 mm - max. 8 mm.
- Driver can be secured with slot for screws.
- Protections:
  - against overheating and short circuits;
  - against mains voltage spikes;
  - against overloads.
- Thermal protection = C.5.a.

### Caratteristiche

- **PFC attivo.**
- Alimentatore indipendente IP20, per uso interno.
- Protetto in classe II contro le scosse elettriche per contatti diretti e indiretti.
- Fornito di coprimorsetto e serracavo.
- Morsetti di entrata e uscita contrapposti (sezione cavo fino a 2,5 mm<sup>2</sup> / AWG13).
- Singola morsettiera su primario e secondario.
- Serracavo su primario e secondario per cavi di diametro: min. 3 mm - max. 8 mm.
- Fissaggio dell'alimentatore tramite asole per viti.
- Protezioni:
  - termica e cortocircuito;
  - contro le extra-tensioni di rete;
  - contro i sovraccarichi.
- Protezione termica = C.5.a.

Single current drivers - With PFC - Switchable  
Alimentatori corrente singola - Con PFC - Non regolabili

**7 YEARS WARRANTY**  
3% FAILURE RATE

**10 YEARS WARRANTY**  
5% FAILURE RATE

PRODUCER'S LIABILITY  
TCI

10 YEARS WARRANTY  
ACCORDING TO THE CONTRACTOR'S CONDITIONS