

AMN - Standard Detection Type



Small lens diameter of only 9.5mm

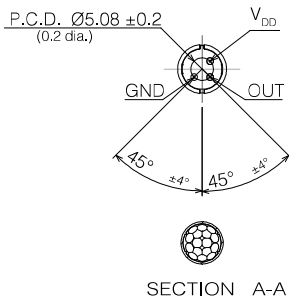
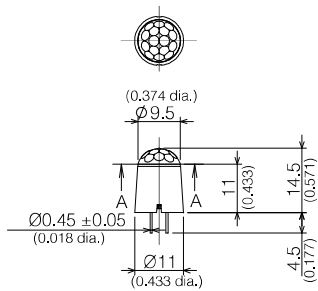
Specified detection distance (Note 1)	up to 5m
Typical ceiling installation height (Note 2)	3m
Field of view	120° x 106°
Detection zones	64
Note 1: > $\Delta T \geq 4^{\circ}C$ > Object speed: 1m/s > Object size: 700 x 250mm > Crossing 2 detection zones	Note 2: The sensitivity of passive infrared sensors is influenced by environmental conditions, so a performance evaluation test under representative conditions is recommended

Typical applications

- > Lighting controls
- > Heaters
- > Ventilators and air conditioners
- > Multi-functional printers

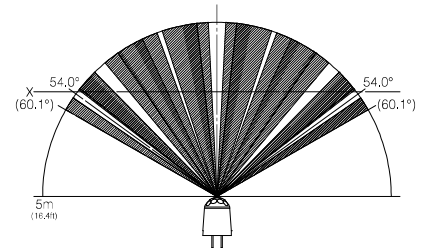
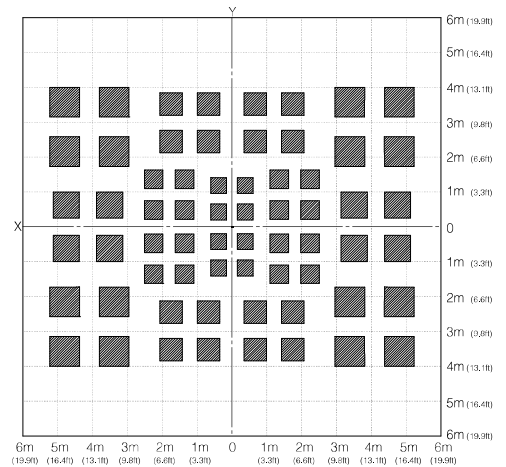
Further information on electrical characteristics please see page 22

Dimension (in mm, inches in brackets)



Detection area

X-Y cross section at 3m (9.8ft)



Notes	Standby current consumption	Output type	Sensitivity	White	Black
NaPiOn 2nd generation	170μA	Digital (open drain)	Standard	AMN31112	AMN31111

Note: The specification shows the X-Y cross section at 2.5m.

AMN - Slight Motion Detection Type



Optimized for small movements

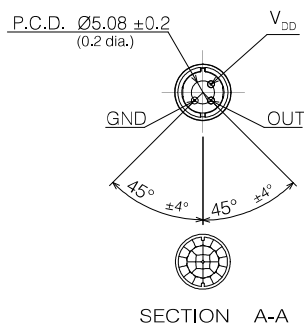
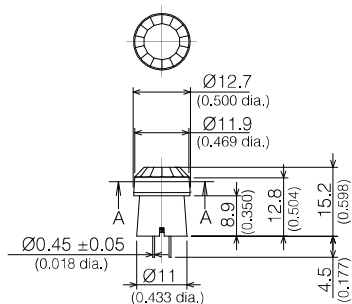
Specified detection distance (Note 1)	up to 2m - 3.3m
Typical ceiling installation height (Note 2)	3m
Field of view	107° x 106°
Detection zones	104
Note 1: > $\Delta T \geq 4^{\circ}C$ > Object speed: 0.5m/s > Object size: 200mm x 200mm > Crossing 1 detection zone	Note 2: The sensitivity of passive infrared sensors is influenced by environmental conditions, so a performance evaluation test under representative conditions is recommended

Typical applications

- > Lighting controls
- > Heaters
- > Ventilators and air conditioners
- > Multi-functional printers

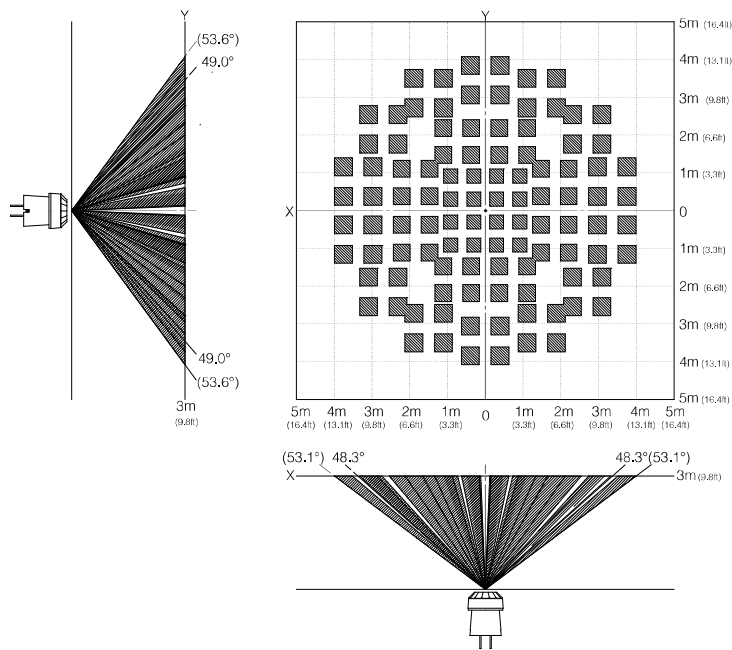
Further information on electrical characteristics please see page 22

Dimension (in mm, inches in brackets)



Detection area

X-Y cross section at 3m (9.8ft)



Notes	Standby current consumption	Output type	Sensitivity	White	Black
NaPiOn 2nd generation	170µA	Digital (open drain)	Standard	AMN32112	AMN32111

Note: The specification shows the X-Y cross section at 2m.

AMN - Spot Detection Type



Flat lens
Lens diameter 8.9mm

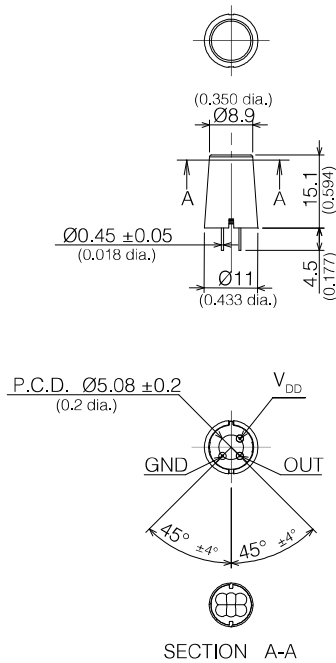
Specified detection distance (Note 1)	up to 5m - 5.6m
Typical ceiling installation height (Note 2)	5m
Field of view	57° x 42°
Detection zones	24
Note 1: > $\Delta T \geq 4^{\circ}C$ > Object speed: 1m/s > Object size: 700 x 250mm > Crossing 2 detection zones	Note 2: The sensitivity of passive infrared sensors is influenced by environmental conditions, so a performance evaluation test under representative conditions is recommended

Typical applications

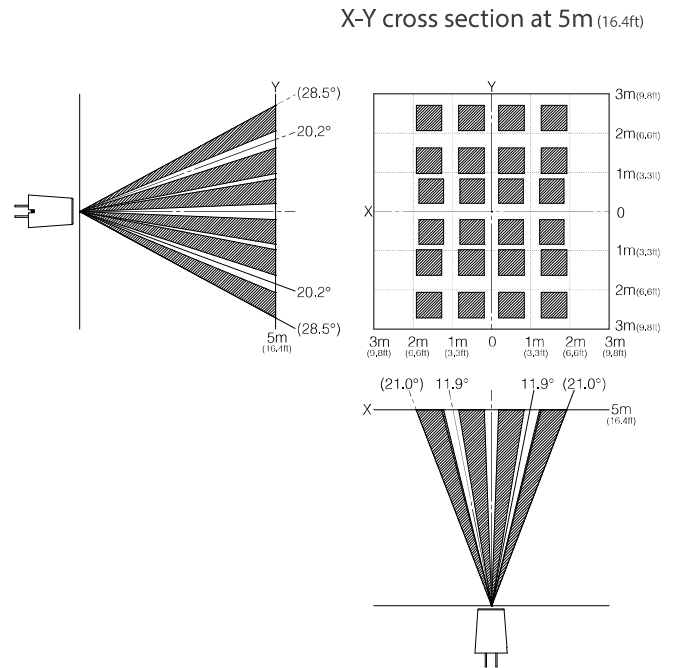
- > Vending machines
- > Multi-functional printers
- > Intrusion alarm sensors for windows and doors
- > Digital signage

Further information on electrical characteristics please see pag 22

Dimension (in mm, inches in brackets)



Detection area



Notes	Standby current consumption	Output type	Sensitivity	White	Black
NaPiOn 2nd generation	170 μ A	Digital (open drain)	Standard	AMN33112	AMN33111

AMN - 10m Detection Type (long distance)



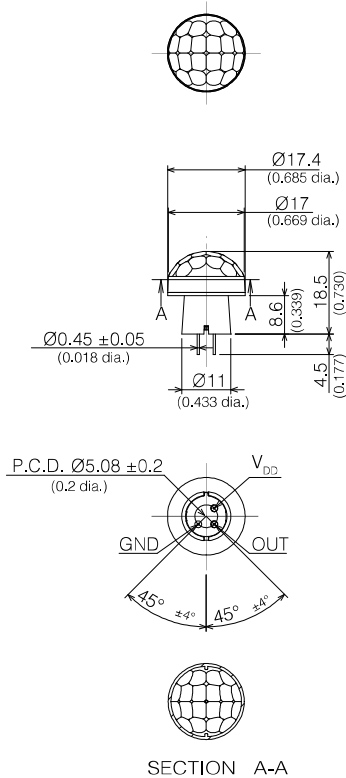
Specified detection distance (Note 1)	up to 5 - 10m
Typical ceiling installation height (Note 2)	5m
Field of view	120° x 107°
Detection zones	80
Note 1: > ΔT ≥ 4°C > Object speed: 1m/s > Object size: 700 x 250mm > Crossing 2 detection zones	Note 2: The sensitivity of passive infrared sensors is influenced by environmental conditions, so a performance evaluation test under representative conditions is recommended

Typical applications

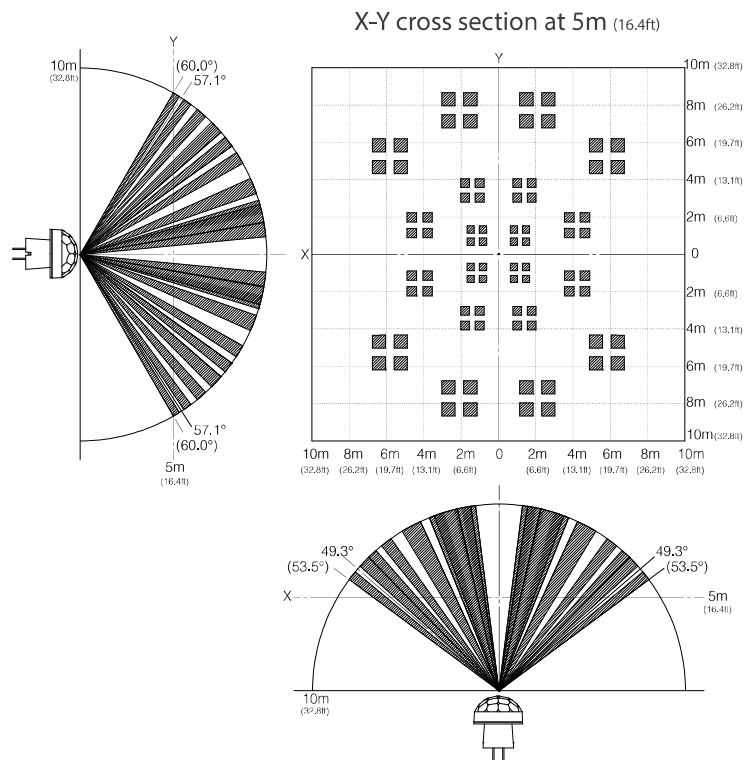
- > Lighting controls
- > Heaters
- > Ventilators and air-conditioners

Further information on electrical characteristics please see page 22

Dimension (in mm, inches in brackets)



Detection area



Notes	Standby current consumption	Output type	Sensitivity	White	Black
NaPiOn 2nd generation	170μA	Digital (open drain)	Standard	AMN34112	AMN34111